

BACKFLOW PREVENTERS

DUAL-CHECK BACKFLOW PREVENTER WITH ATMOSPHERIC VENT

T/S-459

Forged brass construction
 Threaded or sweat true union end connections
 Designed for continuous-pressure hot or cold water lines such as boiler feed or process equipment lines attached to the potable water supply.
 Inlet screen reduces the chance of check fouling.
 Intermittent emergency backflow protection up to 250 degrees F

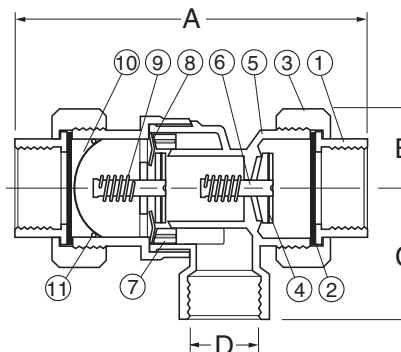
Pressure Rating, Non-Shock (PSI)
 Saturated Steam: Not suitable for steam service
 Maximum Water Pressure: 175 psi at 210° F

MATERIAL SPECIFICATION

PART	MATERIAL	SPECIFICATION
1 Female adapter (2)	Forged brass	ASTM B124/124M UNS C37700
2 Adapter gasket (2)	EPDM	Commercial grade
3 Union nut (2)	Forged brass	ASTM B124/124M UNS C37700
4 Piston Seal	EPDM	Commercial grade
5 Body	Forged brass	ASTM B124/124M UNS C37700
6 Check piston (2)	Forged brass	ASTM B124/124M UNS C37700
7 Vent diffuser	Polyethylene plastic	Commercial grade
8 Seal membrane	EPDM	Commercial grade
9 Check piston spring (2)	Stainless steel	AISI 304
10 Debris screen	Stainless steel	AISI 304
11 Screen retainer	Phosphor bronze wire	ASTM B159 UNS C51000

Certified to ASSE Standard 1012
 Certified to CSA Standard B64.3
 Female pipe thread connections conform to ANSI / ASME B1.20.1
 Sweat end connections conform to ANSI / ASME B16.18

Manufactured in an ISO 9002 accredited facility



T-459
Cut Away

DIMENSIONS

Size	A (IPS)	A (CTS)	B	C	D	Cv	Wt (lb)
1/2"	4.125	4.25	0.90	1.50	1/2" FNPT	3.0 GPM	1.20
3/4"	4.125	4.88	0.90	1.50	1/2" FNPT	3.0 GPM	1.28

DUAL-CHECK BACKFLOW PREVENTER

T-457

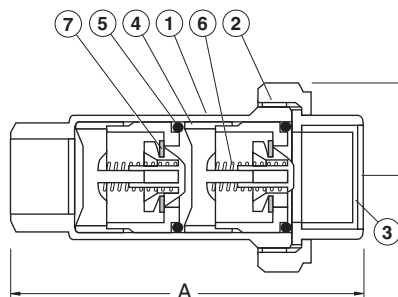
Forged brass construction
 Plastic check modules with stainless steel springs
 Single-union inlet connection
 Designed for residential or commercial continuous or intermittent water pressure containment, downstream of the meter
 Available in FIP configurations
 Can be installed vertically or horizontally

Pressure Rating, Non-Shock (PSI)
 Saturated Steam: Not suitable for steam service
 Maximum Water Pressure: 150 psi at ambient temperature
 Minimum Operating Pressure: 10 psi
 Maximum Water Temperature: 180° F

MATERIAL SPECIFICATION

PART	MATERIAL	SPECIFICATION
1 Body	Forged brass	ASTM B124/124M UNS C37700
2 Union nut	Forged brass	ASTM B124/124M UNS C37700
3 Female adapter	Forged brass	ASTM B124/124M UNS C37700
4 Check module (2)	Acetal resin	COPOLYMER 090
5 Check O-ring (2)	Buna-N (NBR) rubber	Commercial grade
6 Module spring (2)	Stainless steel	AISI 304
7 Module seat (2)	Buna-N (NBR) rubber	Commercial grade

Certified to ASSE Standard 1024
 Certified to CSA Standard B64.6
 Female pipe threads comply with ANSI / ASME B1.20.1
 Manufactured in an ISO 9002 accredited facility



T-457
Cut Away

DIMENSIONS

Size	A	B	Cv	Wt (lb)
1/2"	4.08	1.19	5.51gpm	1.24
3/4"	4.11	1.19	5.51gpm	1.09
1"	4.21	1.19	5.51gpm	1.15

HOSE BIBB VACUUM BREAKER

T-553 / T-553C

Female x male garden hose thread connections
 Automatic vacuum interruption prevents backsiphonage
 Breakaway set screw for tamper-resistant installation
 Available in plain or chrome plated finishes
 Not for continuous pressure installations

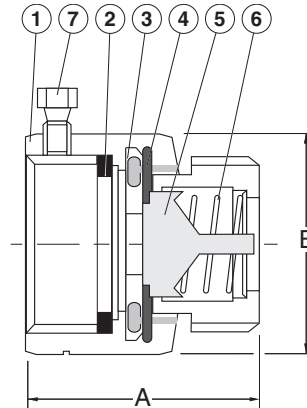
Working Pressure, Non-Shock (PSI)
 CWP: Max 125 psi
 Saturated Steam: Not suitable for steam service
 Maximum service temperature: 180° F

MATERIAL SPECIFICATION

PART	MATERIAL	SPECIFICATION
1 Body*	Forged brass	ASTM B16 UNS C36000
2 Washer	Neoprene	Commercial grade 55
3 Piston seal retainer	Acetal resin	FM090 Acetal copolymer (POM)
4 Piston seal	NBR (Nitrile) rubber	Commercial grade
5 Piston	Acetal resin	FM090 Acetal copolymer (POM)
6 Piston Spring	Stainless steel	AISI 304
7 Setscrew	Chrome plated mild carbon steel	AISI 12L14 (ASTM A108)

*T-553C is chrome plated

Certified to ASSE Standard 1011
 Certified to CSA Standard B64.2
 UPC / IAPMO approved



T-553
Cut Away

DIMENSIONS

Size	A	B
3/4"	1.25	1.26

HOSE BIBB VACUUM BREAKER

T-554

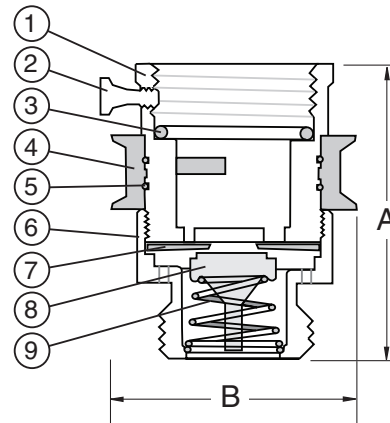
Female x male garden hose thread connections
 Automatic vacuum interruption prevents backsiphonage
 Breakaway set screw for tamper-resistant installation
 Drain collar permits manual draining
 Not for continuous pressure installations

Working Pressure, Non-Shock (PSI)
 CWP: Max 125 psi
 Saturated Steam: Not suitable for steam service
 Maximum service temperature: 180° F

MATERIAL SPECIFICATION

PART	MATERIAL	SPECIFICATION
1 Body	Forged brass	ASTM B124 UNS C37700
2 Setscrew	Chrome plated carbon steel	ASTM A108
3 O-Ring	NBR (Nitrile) Rubber	Commercial grade
4 Drain collar	ABS Plastic	Impact grade
5 Collar O-rings (2)	NBR (Nitrile) Rubber	Commercial grade
6 End adapter	Forged brass	ASTM B124 UNS C37700
7 Seat	NBR (Nitrile) Rubber	Commercial grade
8 Piston	Celcon plastic	Celcon M90-01
9 Piston spring	Stainless steel	AISI 304

UPC / IAPMO approved



T-554
Cut Away

DIMENSIONS

Size	A	B
3/4"	1.92	1.62

BACKFLOW PREVENTERS

HOSE BIBB VACUUM BREAKER

T-555

Female x male garden hose thread connections
 Automatic vacuum interruption prevents backsiphonage
 Breakaway set screw for tamper-resistant installation
 Durable, corrosion and impact resistant resin construction
 Not for continuous pressure installations

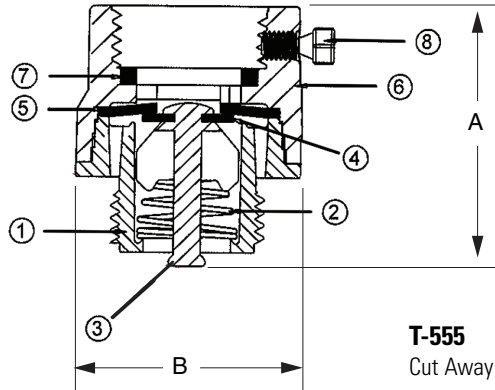
Working Pressure, Non-Shock (PSI)
 CWP: Max 125 psi
 Saturated Steam: Not suitable for steam service
 Maximum service temperature: 180° F

MATERIAL SPECIFICATION

PART	MATERIAL	SPECIFICATION
1 Body	Noryl* resin	Fiber reinforced polyphenylene ether + polystyrene
2 Piston spring	Stainless steel	AISI 304
3 Piston	Noryl* resin	Fiber reinforced polyphenylene ether + polystyrene
4 Piston seat	NBR (Nitrile) Rubber	Commercial grade
5 Seat	NBR (Nitrile) Rubber	Commercial grade
6 End adapter	Noryl* resin	Fiber reinforced polyphenylene ether + polystyrene
7 Washer	NBR (Nitrile) Rubber	Commercial grade
8 Setscrew	Chrome Plated brass	ASTM B16 UNS C36000

*Registered trademark of the General Electric Corporation

Certified to ASSE Standard 1011
 Certified to CSA Standard B64.2
 UPC / IAPMO approved



DIMENSIONS

Size	A	B
3/4"	1.78	1.56



A Legendary Guarantee:

Legend Valve & Fitting warrants each valve manufactured in its ISO-9002 facilities to be free of defects in materials and workmanship for a period of 5 years from the date of purchase when properly installed and operated under normal use and service. Should one of these valves be proven defective, Legend will pay directly to the installing contractor \$25.00 to help offset the cost of replacement in addition to replacing the valve. For complete details of this legendary warranty, please contact us.



CAST IRON BUTTERFLY VALVES

LEGEND MODELS T-335 and T-337 butterfly valves are a wafer design made of ASTM A-126 cast iron. They have an aluminum bronze disc and stainless steel shaft. They offer a bubble tight seal and are bi-directional flow. The extended neck is ideal for insulated pipe. The ten position handle is standard. Intended for general piping applications requiring a positive shut-off.

- T-335AB:** ALUMINUM BRONZE DISC, EPDM SEAT
- T-335DI:** DUCTILE IRON DISC, EPDM SEAT
- T-335SS:** 316 STAINLESS STEEL DISC, EPDM SEAT*

- T-337AB:** ALUMINUM BRONZE DISC, BUNA-N SEAT
- T-337DI:** DUCTILE IRON DISC, BUNA-N SEAT
- T-337SS:** 316 STAINLESS STEEL DISC, BUNA-N SEAT*

- T-335AB-G:** ALUMINUM BRONZE DISC, EPDM SEAT
- T-335DI-G:** DUCTILE IRON DISC, EPDM SEAT
- T-335SS-G:** 316 STAINLESS STEEL DISC, EPDM SEAT*

- T-337AB-G:** ALUMINUM BRONZE DISC, BUNA-N SEAT
- T-337DI-G:** DUCTILE IRON DISC, BUNA-N SEAT
- T-337SS-G:** 316 STAINLESS STEEL DISC, BUNA-N SEAT*

**MODELS
T-335, T-337**



**MODELS
T-335-G, T-337-G**



LEGEND MODELS T-365 and T-367 butterfly valves are a lug design which permits **single flange (dead end) installation. They also offer the same construction and features as our **T-335 and T-337**.

- T-365AB:** ALUMINUM BRONZE DISC, EPDM SEAT
- T-365DI:** DUCTILE IRON DISC, EPDM SEAT
- T-365SS:** 316 STAINLESS STEEL DISC, EPDM SEAT*

- T-367AB:** ALUMINUM BRONZE DISC, BUNA-N SEAT
- T-367DI:** DUCTILE IRON DISC, BUNA-N SEAT
- T-367SS:** 316 STAINLESS STEEL DISC, BUNA-N SEAT*

- T-365AB-G:** ALUMINUM BRONZE DISC, EPDM SEAT
- T-365DI-G:** DUCTILE IRON DISC, EPDM SEAT
- T-365SS-G:** 316 STAINLESS STEEL DISC, EPDM SEAT*

- T-367AB-G:** ALUMINUM BRONZE DISC, BUNA-N SEAT
- T-367DI-G:** DUCTILE IRON DISC, BUNA-N SEAT
- T-367SS-G:** 316 STAINLESS STEEL DISC, BUNA-N SEAT*

**MODELS
T-365, T-367**



**MODELS
T-365-G, T-367-G**



ALL BUTTERFLY VALVES ARE 200 W.O.G. NON-SHOCK.

***INDICATES SPECIAL ORDER ITEMS. PLEASE CONTACT CUSTOMER SERVICE FOR MORE INFORMATION**

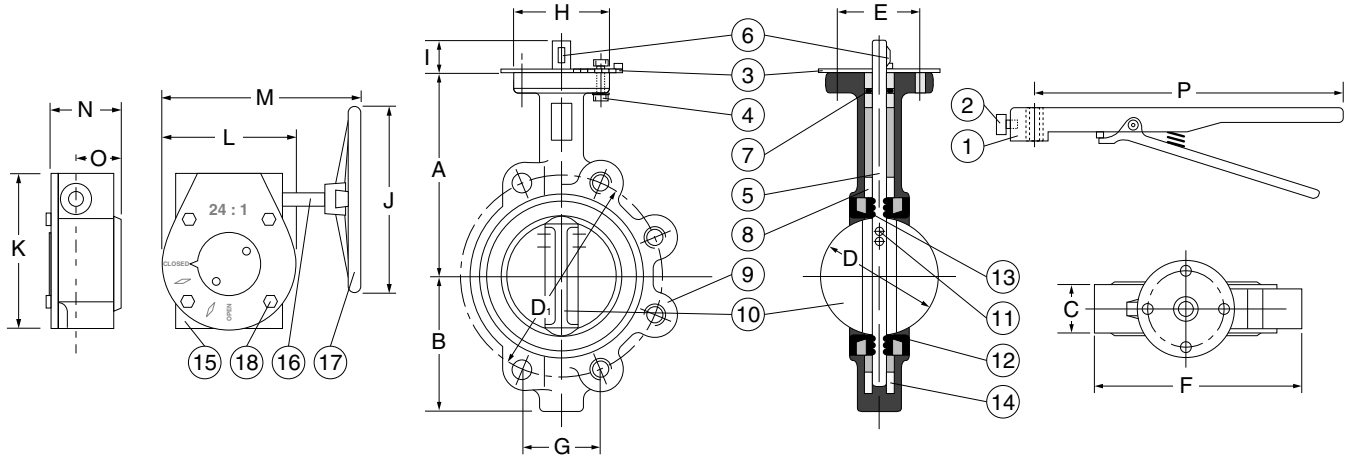
****UP TO 100 P.S.I. ONLY.**

BOLT DATA (LUG ONLY)				
VALVE SIZE	BOLT CIRCLE	BOLT SIZE	QTY	WOODRUFF SIZE
2"	4.75	5/8" - 11	4	#3
2 1/2"	5.50	5/8" - 11	4	#3
3"	6.00	5/8" - 11	4	#3
4"	7.50	5/8" - 11	8	#9
5"	8.50	3/4" - 10	8	#9
6"	9.50	3/4" - 10	8	#9
8"	11.75	3/4" - 10	8	#9

VALVE WEIGHT				
VALVE SIZE	T-335-G T-337-G	T-365-G T-367-G	T-335 T-337	T-365 T-367
2"	26 lbs.	28 lbs.	9 lbs.	11 lbs.
2 1/2"	28 lbs.	30 lbs.	11 lbs.	13 lbs.
3"	28 lbs.	31 lbs.	11 lbs.	14 lbs.
4"	31 lbs.*	38 lbs.*	14 lbs.	21 lbs.
5"	35 lbs.*	43 lbs.*	18 lbs.	26 lbs.
6"	38 lbs.*	46 lbs.*	21 lbs.	29 lbs.
8"	62 lbs.*	74 lbs.*	35 lbs.	47 lbs.

(*) NOTE: GEAR BOX AND HANDWHEEL NOT INSTALLED

CAST IRON BUTTERFLY VALVES



MATERIAL SPECIFICATIONS

NO.	PART	QTY.	MATERIAL
1	HANDLE	1	CAST IRON
2	HANDLE BOLT	1	STEEL
3	10-POSITION LATCH PLATE	1	STEEL
4	LATCH PLATE/GEAR OP. RETAINING BOLTS & NUTS	2 ea.	STEEL
5	SHAFT	1	416 STAINLESS STEEL
6	WOODRUFF KEY	1	416 STAINLESS STEEL
7	SHAFT WEATHER SEAL	1	EPDM (T-335, T-365) BUNA-N (T-337, T-367)
8	SHAFT BUSHINGS	3	BRONZE
9	BODY	1	CAST IRON
10	DISC	1	ALUMINUM BRONZE, DUCTILE IRON OR 316 STAINLESS STEEL
11	DISC PINS	1 or 2	416 STAINLESS STEEL (2"-5" : ONE 6" & 8" : TWO)
12	SEAT	1	PHENOLIC BACKED EPDM (T-335, T-365) OR BUNA-N (T-337, T-367)
13	SURGE SEALS	3	EPDM (T-335, T-365) BUNA-N (T-337, T-367)
14	AXIAL BEARING	1	BRONZE
15	GEAR BOX	1	CAST IRON
16	INPUT SHAFT	1	STEEL
17	HAND WHEEL	1	CAST IRON
18	GEAR BOX BOLTS	4	STEEL

DIMENSIONS IN INCHES

VALVE SIZE	A	B	C	D	E	F (wafer)	F (lug)	G (wafer)	H	I	J	K	L	M	N	O	P	D1
2"	6.34	3.15	1.65	2.08	2.25	3.94	4.76	3.34	3.03	1.26	12.00	5.19	4.25	8.00	2.75	1.50	10.50	4.75
2 1/2"	6.89	3.50	1.76	2.54	2.25	4.72	5.43	3.79	3.03	1.26	12.00	5.19	4.25	8.00	2.75	1.50	10.50	5.50
3"	7.13	3.74	1.78	3.10	2.25	5.00	5.75	2.41	3.03	1.26	12.00	5.19	4.25	8.00	2.75	1.50	10.50	6.00
4"	7.87	4.49	2.05	4.09	2.75	6.14	8.11	2.79	3.62	1.26	12.00	5.19	4.25	8.00	2.75	1.50	10.50	7.50
5"	8.39	5.00	2.13	4.85	2.75	7.48	9.21	3.24	3.62	1.26	12.00	5.19	4.25	8.00	2.75	1.50	10.50	8.50
6"	8.90	5.47	2.20	6.13	2.75	8.35	10.31	3.59	3.62	1.26	12.00	5.19	4.25	8.00	2.75	1.50	10.50	9.50
8"	10.24	6.89	2.39	7.97	3.50	10.55	12.32	4.44	4.53	1.77	12.00	7.25	6.25	12.38	3.25	1.69	14.00	11.75

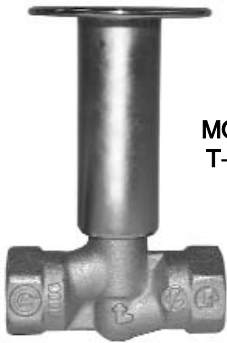
CV FACTORS AT VARIOUS DISC OPENINGS (in degrees)

VALVE SIZE	10°	20°	30°	40°	50°	60°	70°	80°	90°	GEAR RATIO	STEM DIA.
2"	0.119	7.170	13.46	22.44	34.00	49	57	60	62	24:1	0.500
2 1/2"	0.185	11.21	28.68	44.68	65.28	87	106	118	123	24:1	0.500
3"	0.267	16.14	41.30	64.35	94.20	135.3	172	208	239	24:1	0.500
4"	0.467	28.70	73.42	114.4	167.5	240.6	314	384	438	24:1	0.625
5"	0.744	44.84	114.7	178.7	261.7	375.9	503	654	817	24:1	0.750
6"	1.07	64.57	165.2	257.4	376.8	541.3	744	995	1320	24:1	0.750
8"	1.90	114.8	293.7	457.6	669.9	962.3	1367	1772	3019	30:1	0.875

LOG LIGHTER VALVES

FORGED BRASS - I.P.S.
ANGLE AND STRAIGHT PATTERN

ISO-9002



MODEL
T-3200



MODEL
T-3201

LEGEND MODEL T-3200 and T-3201 straight and angle pattern log lighter valves are constructed of heavy-duty forged brass. They have a metal-to-metal seat and a viton rubber and synthetic fiber stem seal. They are A.G.A. and C.G.A. design certified. The extremely high B.T.U. capacity makes them ideal for both natural and artificial fireplaces. Available with chrome or polished brass escutcheon.

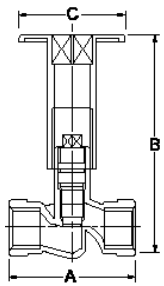


B.T.U. CAPACITY

	1 in. WG Pressure	.3 in. WG Pressure
T-3200	118,000 BTU/Hr.	65,000 BTU/Hr.
T-3201	182,000 BTU/Hr.	100,000 BTU/Hr.

MATERIAL SPECIFICATION	
PART	MATERIAL
BODY	FORGED BRASS
STEM	FORGED BRASS
WASHER	SYNTHETIC FIBER
O-RING	VITON
ESCUTCHEON	FORGED BRASS

PRESSURE RATING
1/2 lb. P.S.I.
Factory Tested at 100 P.S.I.



DIMENSIONS IN INCHES

VALVE SIZE	A	B	C
T-3200	2.60	4.65	2.17
T-3201	1.51	4.95	2.17

BRONZE METER VALVES

FLARE x I.P.S.



MODEL
T-442

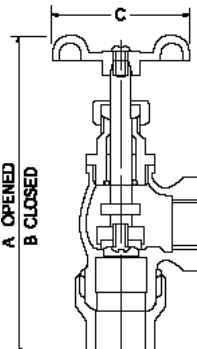


MODEL
T-441

LEGEND MODEL T-441 and T-442 angle meter valves are constructed of heavy duty bronze. They have a screwed-in bonnet, rising stem, composition disc and an extra large flow area to minimize pressure drop. The flare nut has an extra long shank for installation ease.

MATERIAL SPECIFICATION	
PART	MATERIAL
HANDLE SCREW	BRASS
HANDLE	CAST IRON
STEM	BRONZE
PACKING	TEFLON*
PACKING NUT	BRASS
BONNET	BRONZE
BODY	BRONZE
SEAT SCREW	BRASS
SEAT	EPDM
FLARE NUT	BRONZE
WASTE CAP	BRASS

PRESSURE RATING
125 W.O.G. NON-SHOCK



DIMENSIONS IN INCHES

VALVE SIZE	A	B	C
3/4" X 1/2"	5.71	5.20	2.13
3/4" X 3/4"	5.71	5.20	2.13
1" X 3/4"	6.78	6.30	2.13
1" X 1"	7.49	6.74	2.13

*DUPONT REG T.M.

BRONZE WASHING MACHINE VALVES

BALL TYPE - DUO CLOSE
I.P.S.



**MODEL
S-11**

**MODEL
T-11**

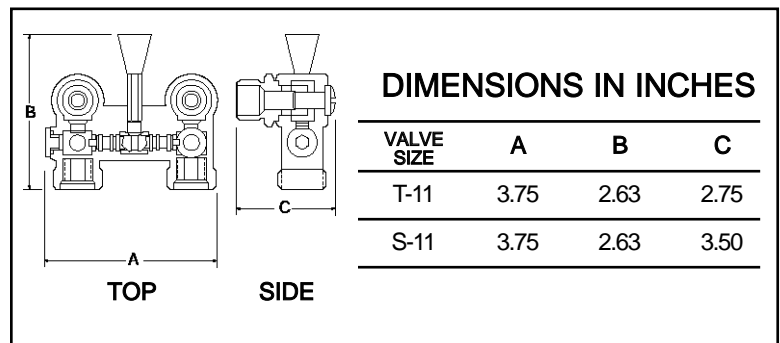
MATERIAL SPECIFICATION	
PART	MATERIAL
BODY	BRONZE
STEM	BRASS
SCREWS	STAINLESS STEEL
BALL	BRONZE
SEATS	TEFLON*

*DUPONT REG T.M.

PRESSURE RATING
150 W.O.G. NON-SHOCK
MAX. TEMPERATURE 180 F

LEGEND MODEL T-11 and S-11 washing machine shut-off valves are constructed of heavy-duty bronze. They provide control of both hot and cold water supply. The single lever control makes it easy to shut-off the water, thereby protecting the washing machine's hoses and inner working parts. The ball type design can be used to throttle water flow and ease the water hammer shock caused by solenoid valves.

MODEL T-11 has a combination 1/2" M.I.P. and 1/2" solder inlet connection.



PRESSURE RELIEF VALVE

CAST BRASS
I.P.S.

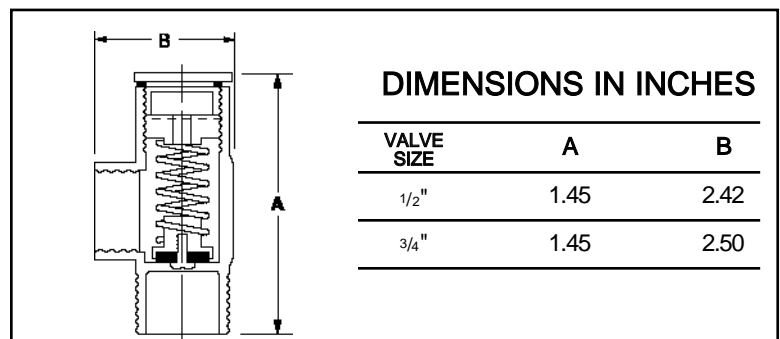
**MODEL
T-50**



LEGEND MODEL T-50 pressure relief valves are for protection against excessive pressure. Recommended for all water system installations to protect against damage to piping and pressure tanks. They are set at 75 P.S.I. and are adjustable to 150 P.S.I.

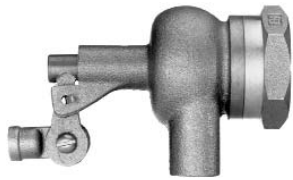
MATERIAL SPECIFICATION	
PART	MATERIAL
BODY	BRASS
OUTER CAP	BRASS
INNER CAP	BRASS
SEAT RETAINER	BRASS
SEAT	NBR (NITRILE)
SPRING	STAINLESS STEEL
SEAT SCREW	BRASS
CAP WASHER	FIBER

PRESSURE RATING
ADJUSTABLE FROM
75 TO 150 P.S.I.



FLOAT VALVES

CAST BRONZE
I.P.S.



MODEL
T-31



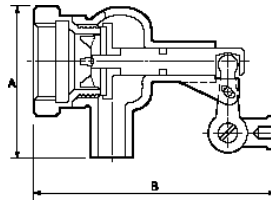
MODEL
T-32

LEGEND MODEL T-30, T-31 and T-32 float valves are constructed of heavy duty bronze. Mechanical float valves are for controlling water flow to cooling towers, waterworks, commercial and agricultural applications. They can be tank wall-mounted if desired. Copper floats, plastic floats and float rods are also available.

MATERIAL SPECIFICATION	
PART	MATERIAL
BODY	BRONZE
END ADAPTER	BRONZE
DISC	BRONZE
SEAT	EPDM
LEVER	BRONZE
ROD	BRASS
CONNECTING ROD	BRASS
PIN	BRASS
SCREW	BRASS

PRESSURE RATING
125 P.S.I.

DIMENSIONS IN INCHES		
VALVE SIZE	A	B
3/8" T-30	3.35	2.64
1/2" T-30	3.78	2.84
3/4" T-30	4.18	2.84
1" T-31	5.13	2.56
1 1/2" T-31	6.14	3.63
2" T-31	6.14	3.63
1 1/4" T-30	6.25	3.69
1/2" T-32	3.78	2.84
3/4" T-32	4.18	2.84



ANTI-SWEAT VALVES

CAST BRONZE
I.P.S.



MODEL
T-20



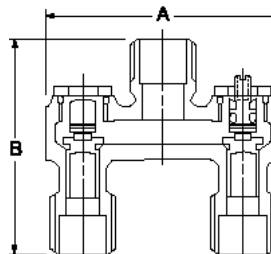
MODEL
T-20A

LEGEND MODEL T-20 and T-20A anti-sweat valves are constructed of heavy duty bronze. They help prevent condensation on toilet tanks and bowls. The T-20 allows for a fixed 30% mix of hot water. The T-20A adjustable model allows for the hot water feed to be adjusted or completely shut-off. Both models are 1/2" I.P.S., but compression nuts and ferrules are available for installation on copper.

MATERIAL SPECIFICATION	
PART	MATERIAL
BODY	BRONZE
HOT PLUG	BRASS
COLD PLUG	BRASS
SPRING	STAINLESS STEEL
O-RINGS	NBR
T-20A SCREW	BRASS
JUMPER VALVE	BRASS

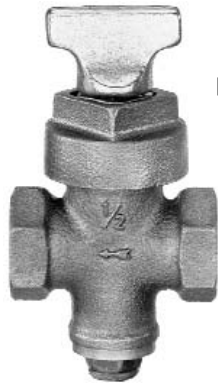
PRESSURE RATING
125 P.S.I.

DIMENSIONS IN INCHES		
VALVE SIZE	A	B
1/2" T-20	2.99	2.72
1/2" T-20	2.99	2.72



GROUND KEY STOP AND DRAIN

CAST BRONZE
I.P.S.

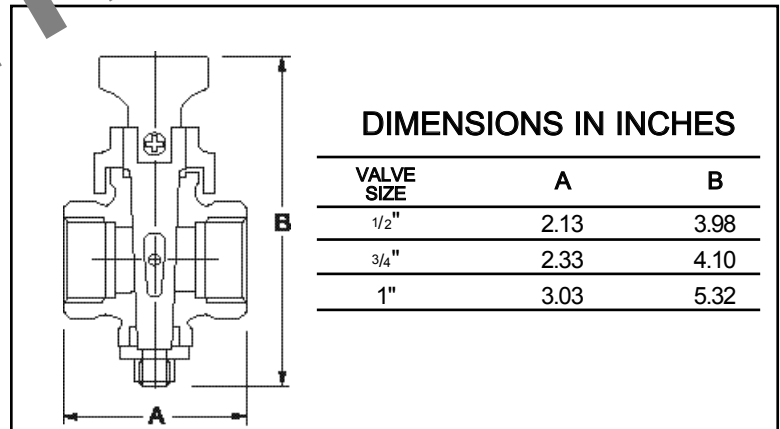


MODEL
T-25

LEGEND MODEL T-25 ground key stop and drain are constructed of heavy duty bronze. They are designed to drain the non-pressure side of the line automatically when shut-off. The plated handle is for use with a street key. The top handle can be removed in order to use a 3/8" square.

Please note that our T-1006 automatic drain ball valve with handle is also ideal for this application.

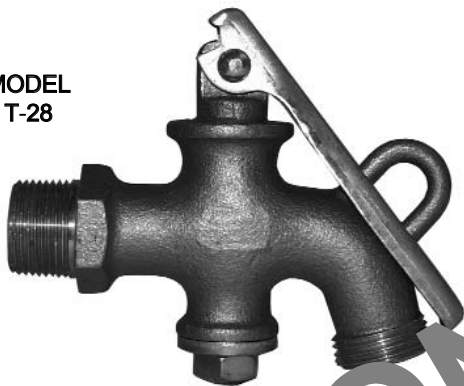
MATERIAL SPECIFICATION		PRESSURE RATING
		150 P.S.I.
PART	MATERIAL	
BODY	BRONZE	
PLUG	BRONZE	
BONNET	BRONZE	
WASHER	BRASS	
NUT	BRASS	
HANDLE	CAST IRON	



DRUM AND BARREL FAUCET

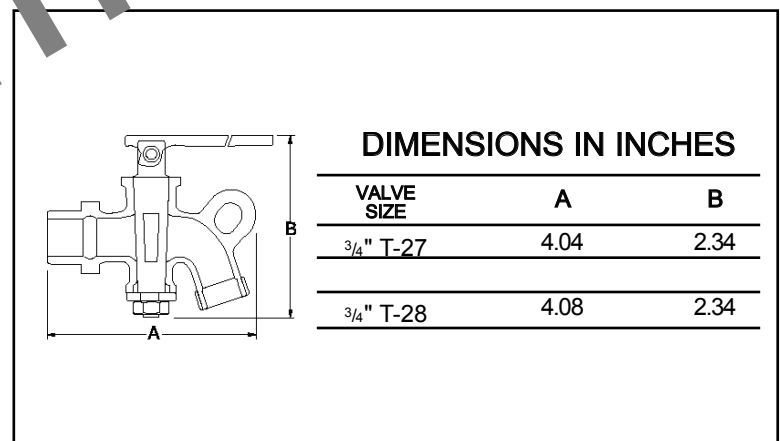
CAST BRONZE
I.P.S.

MODEL
T-28



LEGEND MODEL T-27 and T-28 drum and barrel faucets are constructed of heavy duty bronze. They are quarter-turn valves with lockable handles. The T-27 has a plain end outlet and the T-28 a nose thread outlet.

MATERIAL SPECIFICATION		PRESSURE RATING
		175 P.S.I.
PART	MATERIAL	
BODY	BRONZE	
PLUG	BRONZE	
WASHER	BRASS	
NUT	STAINLESS STEEL	
HANDLE	GALV. STEEL	
HANDLE PIN	STAINLESS STEEL	



DIELECTRIC UNIONS

FORGED STEEL



**MODEL
F.I.P. T-571**



**MODEL
M.I.P. T-571**



**MODEL
T-572**



**MODEL
T-573**



**MODEL
2 1/2\"-4\" T-571**

LEGEND MODELS T-571, T-572 and T-573 dielectric unions are constructed of high quality forged steel. They are an effective means for preventing corrosion caused by galvanic action resulting from the connection of dissimilar metals, and stray current corrosion. They are designed to meet ANSI B16.39 including hydrostatic strength, tensile strength, and air pressure testing.

They are supplied with EPDM gaskets, but high temperature gaskets are also available. Our high temperature gaskets are recommended in heating applications where the temperature can surge beyond the maximum temperature rating.

All unions come fully assembled.

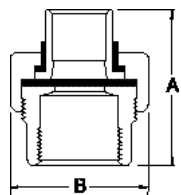
PRESSURE RATING: 200 P.S.I. @ 180 F
MAX TEMPERATURE RATING: 180 F

T-571	
MATERIAL SPECIFICATION	
PART	MATERIAL
I.P.S. CONNECTION	FORGED STEEL
NUT	FORGED STEEL
SOLDER CONNECTION	BRASS
GASKET	EPDM
INSERT	ABS

T-572	
MATERIAL SPECIFICATION	
PART	MATERIAL
I.P.S. CONNECTION	FORGED STEEL
NUT	FORGED STEEL
I.P.S. CONNECTION 2	FORGED STEEL
GASKET	EPDM
INSERT	ABS

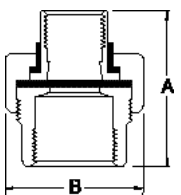
T-573	
MATERIAL SPECIFICATION	
PART	MATERIAL
I.P.S. CONNECTION	FORGED STEEL
NUT	FORGED STEEL
I.P.S. CONNECTION 2	BRASS
GASKET	EPDM
INSERT	ABS

DIMENSIONS IN INCHES T-571



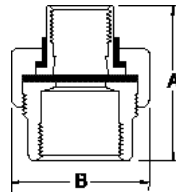
SIZE	F.I.P. X S					M.I.P. X S				
	1/2"	3/4"	3/4" X 1/2"	1"	1 1/4"	1 1/2"	2"	3/4"	3/4" X 1/2"	
A	1.84	2.07	1.86	2.27	2.48	2.53	2.70	2.93	2.78	
B	1.44	1.63	1.63	1.88	2.26	2.62	3.51	1.63	1.63	
SIZE	2 1/2"	3"	4"							
A	3.63	3.75	4.25							
B	6.33	6.75	10.13							

DIMENSIONS IN INCHES T-572



SIZE	1/2"	3/4"	1"	1 1/4"	1 1/2"	2"
A	2.14	2.27	2.38	2.67	2.94	3.11
B	1.62	1.85	2.05	2.74	3.49	3.98

DIMENSIONS IN INCHES T-573



SIZE	1/2"	3/4"	1"
A	2.14	2.27	2.38
B	1.62	1.85	2.05

GALVANIZED AND BRASS COMPRESSION COUPLINGS



LEGEND GALVANIZED COMPRESSION COUPLINGS are constructed of heavy duty malleable iron. They have a long pattern body with rubber gaskets. They are iron pipe size for use in any piping or repair application on galvanized pipe.

PRESSURE RATING: 125 WOG

SIZE	1/2"	3/4"	1"	1 1/4"	1 1/2"	2"
LENGTH	4.25	5	5.63	6	6.75	6.75

LEGEND BRASS COMPRESSION COUPLINGS are constructed of heavy duty brass. They have a long pattern body with rubber gaskets. Most sizes fit both iron pipe sizes and copper tube sizes as indicated in the size chart below. They are for use in any piping or repair application on galvanized or copper tubing.

PRESSURE RATING: 125 WOG

SIZE CTS	1/2"	3/4"	1"	1 1/4"	1 1/2"	2"	
IPS	3/8"	1/2"	3/4"	1"	1 1/4"		1 1/2"
LENGTH	4.50	4.70	4.85	4.63	4.57	4.83	5.00

