

PVC BUTTERFLY VALVES ISO-9002



MODEL S-650



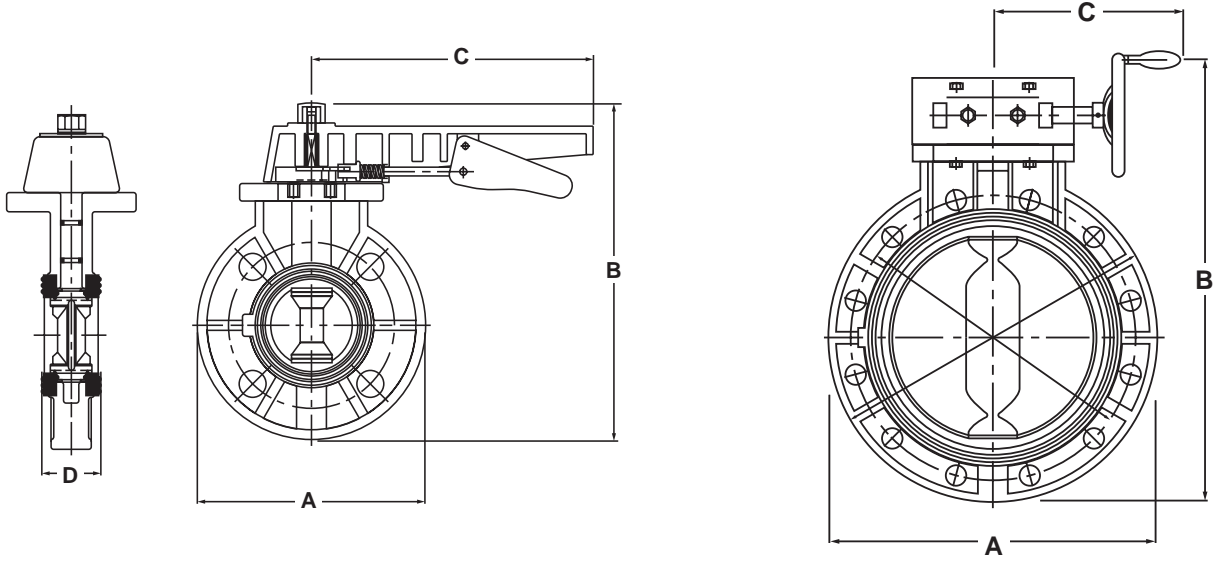
MODEL S-651

LEGEND MODELS S-650 AND S-651 PVC butterfly valves are constructed of ASTM D1784 virgin UPVC resin. Both models have excellent flow characteristics and provide a clear indication of disc position. Ideally suited for flow control using minimal piping space. Recommended for commercial and industrial applications such as sewage and water treatment, chemicals, marine, food processing, swimming pools, etc.

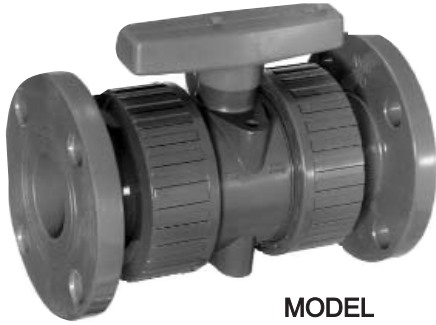
PRESSURE RATING: 150 W.O.G. AT 73° F
TEST PRESSURE: 225 W.O.G.

DIMENSIONS IN INCHES				
VALVE SIZE	A	B	C	D
2"	6.50	9.69	8.00	1.65
2½"	7.29	10.48	8.00	1.85
3"	7.88	10.87	8.00	1.85
4"	9.02	12.53	10.01	2.24
6"	11.23	15.96	11.98	2.80
8"	13.50	11.98	11.98	3.43
	13.50	21.25	10.91	3.43
S-651 WITH GEAR OPERATOR				
8"	16.18	23.23	10.94	4.33
10"	19.29	28.03	11.10	5.20
12"				

MATERIAL SPECIFICATION	
PART	MATERIAL
BODY	UPVC
DISC	POLYPROPYLENE
SEAT	EPDM
STEM	410 SS
O - RINGS	EPDM
INSERTED NUT	410 SS
LARGE HANDLE	ABS
SMALL HANDLE	ABS
SPRING LOCK	ABS
HANDLE INSERT	STAINLESS STEEL
HANDLE LEVER	304 SS
SPRING	304 SS
SPRING PIN	304 SS
WASHER	304 SS
LOCKING PLATE	304 SS
GEAR SEAT	UPVC
BOLT	304 SS
NUT	UPVC
INSERT NUT	410 SS
DISC INDICATOR	304 SS
RIVET	STAINLESS STEEL
GEAR OPERATOR	
HANDWHEEL	CAST IRON
GEAR BOX	CAST IRON
BOLT & WASHER	304 STAINLESS STEEL
SPRING PIN	304 STAINLESS STEEL
PACKING	EPDM



PVC FLANGED TRUE UNION BALL VALVE ISO-9002



MODEL S-643

LEGEND MODEL S-643 PVC flanged true-union ball valves are constructed of ASTM D1784 virgin UPVC resin. The unique double union, single bayonet-style lock facilitates ease of repair and/or maintenance by allowing removal of the valve body from the pipeline. Full ports allow maximum flow and minimum pressure drop or turbulence. Recommended for commercial and industrial applications such as sewage and water treatment, chemicals, food processing, swimming pools, etc.

PRESSURE RATING: 150 W.O.G. AT 73°F
MAXIMUM SERVICE TEMPERATURE: 140°F

MATERIAL SPECIFICATION	
PART	MATERIAL
HANDLE	ABS
STEM PACKING	EPDM
STEM	UPVC
BALL	UPVC
SEATS	TEFLON*
BODY	UPVC
UNION NUTS	UPVC
FLANGE	UPVC
O-RINGS	EPDM
SET RING	UPVC

*DUPONT REG T.M.

DIMENSIONS IN INCHES				
VALVE SIZE	A	B	C	D
1/2"	5.63	3.70	0.51	3.07
3/4"	6.78	4.18	0.71	3.62
1"	7.37	5.04	0.91	3.94
1 1/4"	7.49	5.63	1.20	4.33
1 1/2"	8.35	6.23	1.51	4.77
2"	9.22	7.29	1.89	5.79
2 1/2"	10.21	8.08	2.45	7.09
3"	11.98	8.75	2.65	9.42
4"	14.66	11.11	3.90	10.94

PVC TRUE UNION BALL VALVE ISO-9002

I.P.S. AND SOLVENT ENDS



MODELS T/S-603 & T/S-603V

LEGEND MODELS T/S-603 AND T/S-603V PVC true-union ball valves are constructed of ASTM D1784 virgin UPVC resin. The unique double union, single bayonet-style lock facilitates ease of repair and/or maintenance by allowing removal of the valve body from the pipeline. Full ports allow maximum flow and minimum pressure drop or turbulence. May be installed on schedule 40 or 80 PVC pipe. Both models are shipped with both IPS and solvent end connections through 2" only.

PRESSURE RATING: 150 W.O.G. AT 73°F
MAXIMUM SERVICE TEMPERATURE: 140°F

MATERIAL SPECIFICATION	
PART	MATERIAL
HANDLE	ABS
STEM PACKING	EPDM/VITON**
STEM	UPVC
BALL	UPVC
SEATS	TEFLON*
BODY	UPVC
UNION NUTS	UPVC
END ADAPTER	UPVC
O-RINGS	EPDM/VITON**

*DUPONT REG T.M.

**T/S 603V

DIMENSIONS IN INCHES				
VALVE SIZE	A	B	C	D
1/2"	4.39	2.78	0.51	3.07
3/4"	5.10	3.75	0.71	3.62
1"	5.57	3.85	0.91	3.94
1 1/4"	6.56	4.40	1.20	4.33
1 1/2"	6.73	5.23	1.51	4.77
2"	8.06	6.59	1.89	5.79
2 1/2"	10.79	7.33	2.45	7.09
3"	11.80	8.14	2.65	9.42
4"	13.00	11.33	3.90	10.94

PVC SINGLE UNION BALL VALVES

I.P.S. AND SOLVENT ENDS

ISO-9002



MODEL S-645

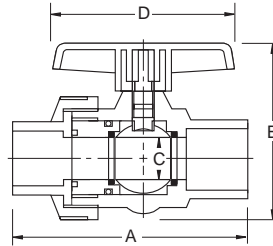
LEGEND MODELS T-645 AND S-645 PVC single union ball valves are constructed of ASTM D1784 virgin UPVC resin. They are an excellent alternative to true-union ball valves when only one union is needed. The union end is blocked with a bayonet-style lock, which facilitates ease of repair and/or maintenance. Full ports allow maximum flow and minimum pressure drop or turbulence. Recommended for commercial and industrial applications as a low-cost alternative to true-union ball valves.

PRESSURE RATING: 150 W.O.G. AT 73° F
MAXIMUM SERVICE TEMPERATURE: 140° F

MATERIAL SPECIFICATION	
PART	MATERIAL
HANDLE	ABS
STEM PACKING	EPDM
STEM	UPVC
BALL	UPVC
SEATS	TEFLON*
BODY	UPVC
UNION NUT	UPVC
END ADAPTER	UPVC
O-RING	EPDM

*DUPONT REG T.M.

DIMENSIONS IN INCHES				
VALVE SIZE	A	B	C	D
1/2"	3.78	2.76	0.51	3.07
3/4"	4.41	3.31	0.71	3.62
1"	4.81	3.90	0.91	3.94
1 1/4"	5.52	4.53	1.20	4.33
1 1/2"	5.91	5.44	1.50	4.77
2"	7.21	6.58	1.89	5.79



PVC SCHEDULE 80 COMPACT BALL VALVES

I.P.S. AND SOLVENT ENDS

ISO-9002



MODEL S-602

LEGEND MODELS T-602 AND S-602 PVC compact ball valves are constructed of ASTM D1784 virgin UPVC resin. They may be installed on schedule 80 or 40 PVC pipe. Their large ports allow maximum flow and minimum pressure drop or turbulence. Severe shock loads and stress are absorbed by the valve body, not the ball and seats, thereby minimizing the chance of uneven wear and leakage. Recommended for commercial and industrial applications as a low-cost alternative to true-union ball valves. All sizes are NSF 61-9 certified for use in potable water systems.

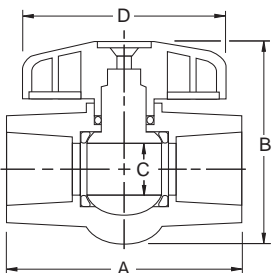


NSF CERTIFIED
PRESSURE RATING: 150 W.O.G. AT 73° F
MAXIMUM SERVICE TEMPERATURE: 140° F

MATERIAL SPECIFICATION	
PART	MATERIAL
HANDLE	ABS
STEM PACKING	EPDM
STEM	UPVC
BALL	UPVC
SEATS	TEFLON*
BODY	UPVC

*DUPONT REG T.M.

DIMENSIONS IN INCHES				
VALVE SIZE	A	B	C	D
1/2"	3.26	2.46	0.55	3.12
3/4"	3.79	3.10	0.77	3.54
1"	4.17	3.72	0.97	3.96
1 1/4"	4.25	3.96	1.14	3.96
1 1/2"	5.11	4.54	1.42	4.29
2"	5.79	5.31	1.83	5.30



PVC COMPACT BALL VALVES

I.P.S. AND SOLVENT ENDS

ISO-9002



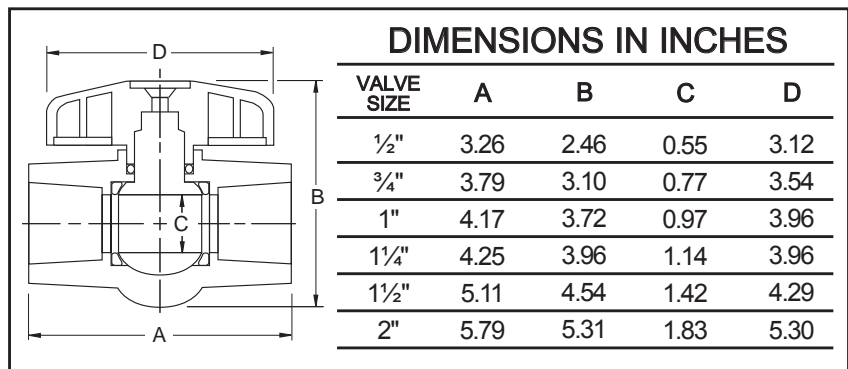
MODEL S-600

MATERIAL SPECIFICATION	
PART	MATERIAL
HANDLE	ABS
STEM PACKING	EPDM
STEM	PVC
BALL	PVC
SEATS	EPDM
BODY	PVC

LEGEND MODELS T-600 AND S-600 PVC compact ball valves are constructed of ASTM D1784 virgin PVC resin. Their large ports allow maximum flow and minimum pressure drop or turbulence. Severe shock loads and stress are absorbed by the valve body, not the ball and seats, thereby minimizing the chance of uneven wear and leakage. May be installed on schedule 40 or 80 PVC pipe. All sizes are NSF 61-9 certified for use in potable water systems.



NSF CERTIFIED
PRESSURE RATING: 150 W.O.G. AT 73° F
MAXIMUM SERVICE TEMPERATURE: 140° F



PVC COMPACT BALL VALVES

I.P.S. AND SOLVENT ENDS

ISO-9002

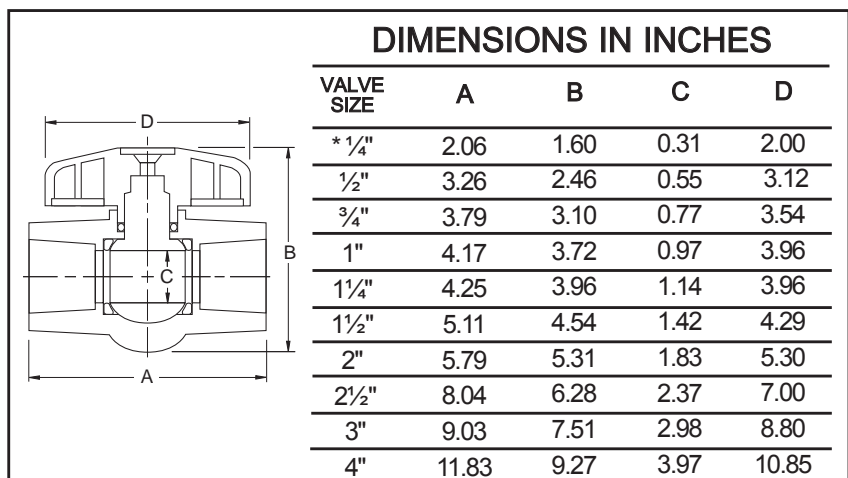


MODEL S-601

MATERIAL SPECIFICATION	
PART	MATERIAL
HANDLE	ABS
STEM PACKING	EPDM
STEM	PVC
BALL	PVC
SEATS	EPDM
BODY	PVC

LEGEND MODELS T-601 AND S-601 PVC compact ball valves are constructed of ASTM D1784 virgin PVC resin. Their large ports allow maximum flow and minimum pressure drop or turbulence. Severe shock loads and stress are absorbed by the valve body, not the ball and seats, thereby minimizing the chance of uneven wear and leakage. May be installed on schedule 40 or 80 PVC pipe.

PRESSURE RATING: 150 W.O.G. AT 73° F
MAXIMUM SERVICE TEMPERATURE: 140° F



CPVC SCHEDULE 80 BALL VALVE SOLVENT ENDS ISO-9002



MODEL S-607

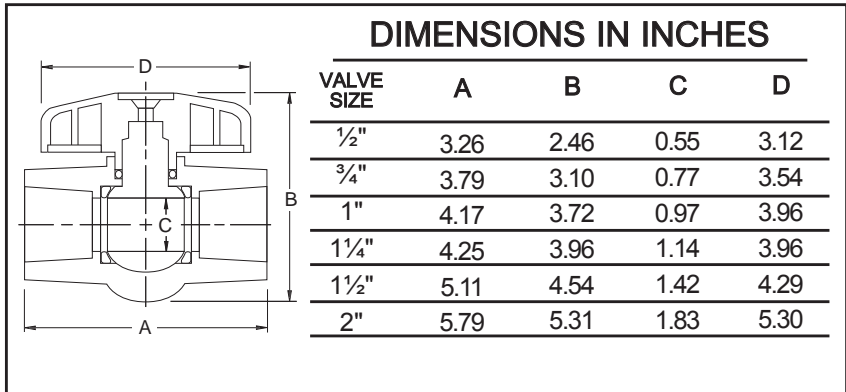
MATERIAL SPECIFICATION	
PART	MATERIAL
HANDLE	ABS
STEM	CPVC
O-RING	EPDM
SEATS	TEFLON*
BALL	CPVC
BODY	CPVC

*DUPONT REG T.M.

LEGEND MODEL S-607 CPVC ball valves are constructed of ASTM D1784 virgin CPVC resin. Their large ports allow maximum flow and minimum pressure drop or turbulence. Severe shock loads and stress are absorbed by the valve body, not the ball and seats, thereby minimizing the chance of uneven wear and leakage. Suitable for hot water systems. They are light gray in color and may be installed on schedule 80 CPVC pipe.



NSF CERTIFIED
PRESSURE RATING: 150 W.O.G. AT 73° F
MAXIMUM SERVICE TEMPERATURE: 180° F



CPVC C.T.S. COMPACT BALL VALVE COPPER TUBE SIZE SOLVENT ENDS ISO-9002



MODEL S-605

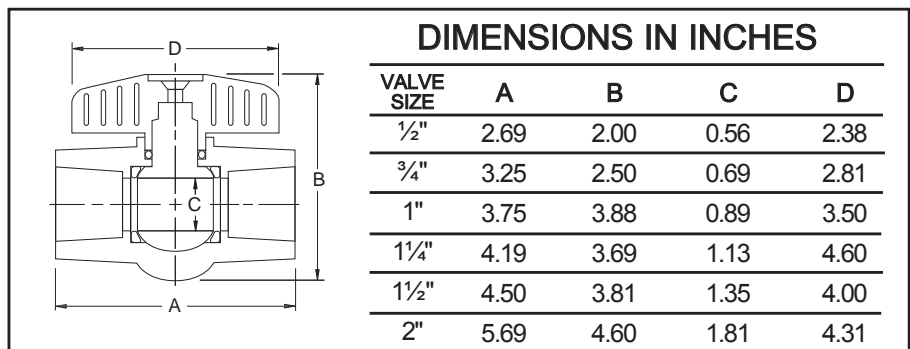
MATERIAL SPECIFICATION	
PART	MATERIAL
HANDLE	ABS
STEM	CPVC
O-RING	EPDM
SEATS	TEFLON*
BALL	CPVC
BODY	CPVC

*DUPONT REG T.M.

LEGEND MODEL S-605 CPVC compact ball valves are constructed of ASTM D1784 virgin CPVC resin. Their large ports allow maximum flow and minimum pressure drop or turbulence. Severe shock loads and stress are absorbed by the valve body, not the ball and seats, thereby minimizing the chance of uneven wear and leakage. Suitable for hot or cold water systems. They are bone colored and may be installed on CPVC copper tube size pipe.



NSF CERTIFIED
PRESSURE RATING: 150 W.O.G. AT 73° F
MAXIMUM SERVICE TEMPERATURE: 180° F



ABS COMPACT BALL VALVE

SOLVENT ENDS

ISO-9002

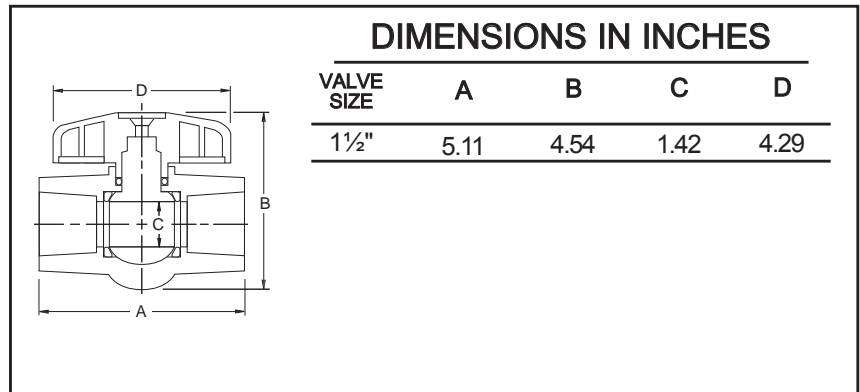


MODEL S-608

LEGEND MODEL S-608 ABS compact ball valve is constructed of virgin ABS resin. The large ports allow maximum flow and minimum pressure drop or turbulence. Severe shock loads and stress are absorbed by the valve body, not the ball and seats, thereby minimizing the chance of uneven wear and leakage. May be installed on schedule 40 pipe.

PRESSURE RATING: 150 W.O.G. AT 73° F
MAXIMUM SERVICE TEMPERATURE: 180° F

MATERIAL SPECIFICATION	
PART	MATERIAL
HANDLE	ABS
STEM PACKING	EPDM
STEM	ABS
BALL	ABS
SEATS	EPDM
BODY	ABS



PVC TWO-PIECE BALL VALVE

SOLVENT ENDS
E-Z TURN

ISO-9002



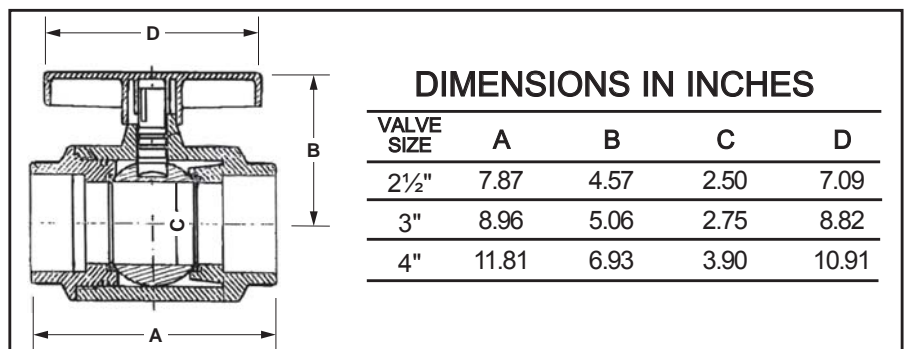
MODEL S-602 E-Z

LEGEND MODEL S-602 E-Z TURN two-piece PVC ball valves are constructed of ASTM D1784 virgin UPVC resin. A common complaint with large diameter PVC ball valves is the extra force required to operate the valve. The two-piece body design of the E-Z Turn permits lower operating force while still offering positive shutoff. Large ports allow maximum flow and minimum pressure drop or turbulence. May be installed on schedule 40 or 80 PVC pipe.

PRESSURE RATING: 150 W.O.G. AT 73° F
MAXIMUM SERVICE TEMPERATURE: 140° F

MATERIAL SPECIFICATION	
PART	MATERIAL
HANDLE	ABS
STEM PACKINGS	EPDM
STEM	UPVC
BALL	UPVC
SEATS	*TEFLON
BODY	UPVC
END ADAPTER	UPVC

*DUPONT REG T.M.



PVC TWO-PIECE BALL VALVE

SOLVENT ENDS
E-Z TURN

ISO-9002

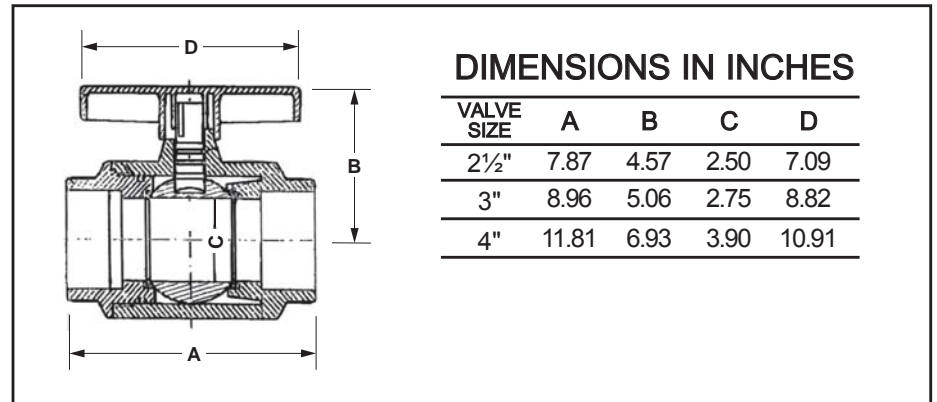


S-601E-Z

LEGEND MODEL S-601 E-Z TURN two-piece PVC ball valves are constructed of ASTM D1784 virgin PVC resin. A common complaint with large diameter PVC ball valves is the extra force required to operate the valve. The two-piece body design of the E-Z Turn permits lower operating force while still offering positive shutoff. Large ports allow maximum flow and minimum pressure drop or turbulence. May be installed on schedule 40 or 80 PVC pipe.

PRESSURE RATING: 150 W.O.G. AT 73° F
MAXIMUM SERVICE TEMPERATURE: 140° F

MATERIAL SPECIFICATION	
PART	MATERIAL
HANDLE	ABS
STEM PACKINGS	EPDM
STEM	PVC
BALL	PVC
SEATS	EPDM
BODY	PVC
END ADAPTER	PVC



PVC UNIVERSAL CHECK VALVE

M.I.P. x BARB ENDS

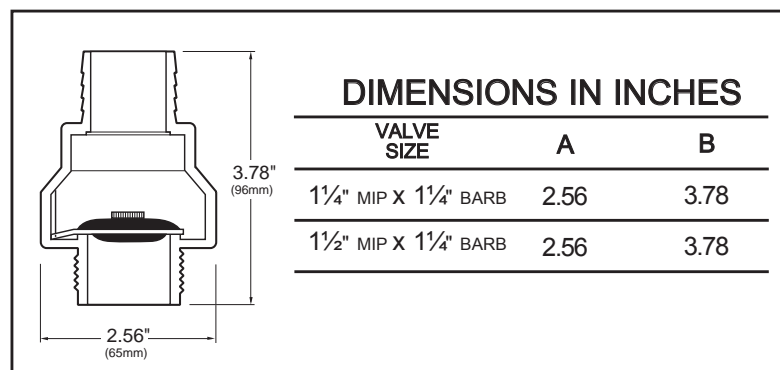


MODEL
S-612

LEGEND MODEL T-612 PVC universal swing check valve is constructed of ASTM D1784 virgin PVC resin. It's unique weighted flapper ensures a positive seal. Recommended as a competitive alternative to traditional sump pump check valves. The T-612's versatile design permits the following installation options:

- ① With 1¼" polyethylene pipe by clamping the pipe over the barbed end of the valve.
- ② With 1½" schedule 40 PVC pipe by gluing an 1½" coupling directly to the valve. Immediately following the BARB, the valve body O.D. is the same as 1½" schedule 40 PVC.
- ③ With 1¼" corrugated hose by clamping the hose over the barbed end of the valve.
- ④ With 1¼" schedule 40 PVC pipe with the use of an 1½" x 1¼" reducing bushing and 1½" deep coupling.

MATERIAL SPECIFICATION	
PART	MATERIAL
BODY	PVC
FLAPPER	NBR
FLAPPER WEIGHT	BRASS
FLAPPER SUPPORT	POLYPROPYLENE & FIBER



PVC BALL CHECK VALVES

I.P.S. AND SOLVENT ENDS

ISO-9002



MODEL S-655

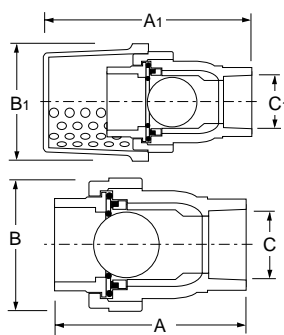


FOOT VALVE SCREEN

LEGEND MODELS T-655 AND S-655 PVC ball check valves are constructed of ASTM D1784 virgin UPVC resin. The ball seals by gravity in the vertical position and at 2 to 4 P.S.I. backpressure, in positions other than vertical. They can be easily converted to foot valves by the addition of an optional plastic screen. Recommended for commercial and industrial applications where backflow prevention is desired.

PRESSURE RATING: 150 W.O.G. AT 73° F
MAXIMUM SERVICE TEMPERATURE: 140° F

MATERIAL SPECIFICATION	
PART	MATERIAL
BODY	UPVC
UNION NUT	UPVC
END ADAPTER	UPVC
FILTER	UPVC
BALL	UPVC
SEAT	EPDM
GLAND	UPVC



DIMENSIONS IN INCHES						
VALVE SIZE	A	B	C	A'	B'	C'
1/2"	3.19	1.89	0.51	5.04	1.89	0.51
3/4"	4.18	2.36	0.79	5.99	2.76	0.79
1"	4.65	2.76	0.99	6.46	3.27	0.99
1 1/2"	6.03	3.74	1.58	7.68	3.74	1.58
2"	6.93	4.14	1.97	9.46	4.14	1.97

PVC IN LINE CHECK VALVES

I.P.S. AND SOLVENT ENDS

ISO-9002

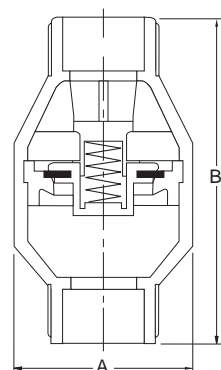


MODEL S-611

LEGEND MODELS T-611 AND S-611 PVC in-line check valves are constructed of ASTM D1784 virgin PVC resin and 304 stainless steel. They give positive backflow prevention with the use of a spring-loaded PVC poppet. They may be installed horizontally or vertically.

1/2 LB. 304 STAINLESS STEEL SPRING
PRESSURE RATING: 150 W.O.G. AT 73° F
MAXIMUM SERVICE TEMPERATURE: 140° F

MATERIAL SPECIFICATION	
PART	MATERIAL
POPPET	PVC
SEAL	EPDM
CONNECTOR SEAT	PVC
SPRING	STAINLESS STEEL
CUP	PVC
UPPER BODY	PVC
LOWER BODY	PVC



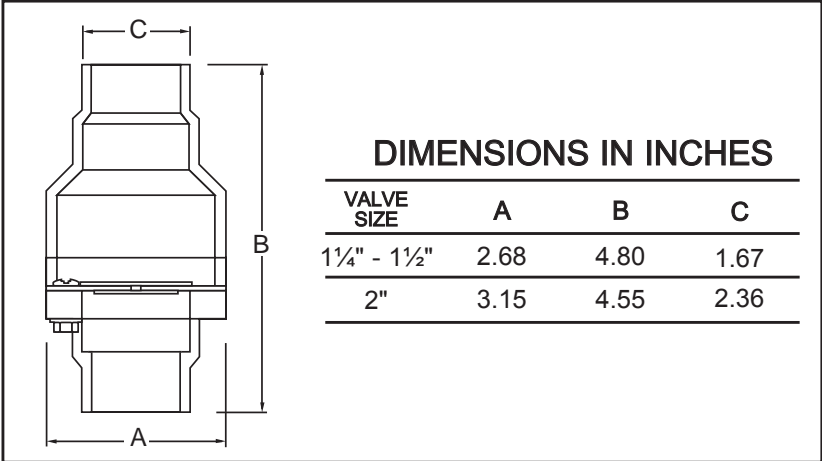
DIMENSIONS IN INCHES			
VALVE SIZE	A	B	C.V. FACTOR
1/2"	2.19	4.13	7.16
3/4"	2.19	4.13	7.93
1"	2.88	5.25	16.53
1 1/4"	3.63	6.25	27.52
1 1/2"	3.63	6.25	32.14
2"	4.31	7.25	47.46

SUMP PUMP CHECK VALVE FULL-FLOW

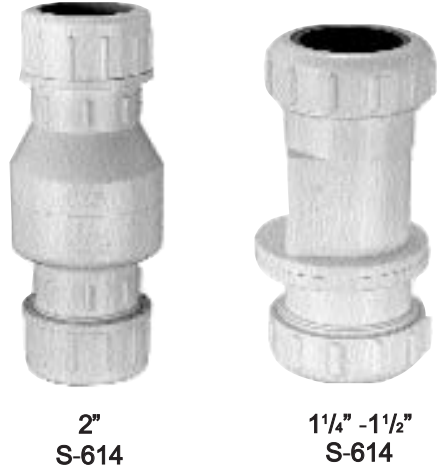


LEGEND MODEL S-613 sump pump check valves prevent backflow of water and sewage gas. They are simple to install with no threading of pipe required. They may be installed in the vertical or horizontal positions by slipping the flexible coupling over ABS, PVC, steel pipe or copper tubing. Their full-flow design significantly reduces the cycle time of the sump pump, thereby increasing pump life. The flexible couplings on the 1 1/4"-1 1/2" check are reversible.

MATERIAL SPECIFICATION	
PART	MATERIAL
TOP BODY	ABS
FLAPPER	EPDM RUBBER & STAINLESS STEEL
BOTTOM BODY	ABS
SCREW	CARBON STEEL
NUT	CARBON STEEL
CLAMP	STAINLESS STEEL
FLEXIBLE COUPLING	ELASTOMERIC POLYVINYL CHLORIDE



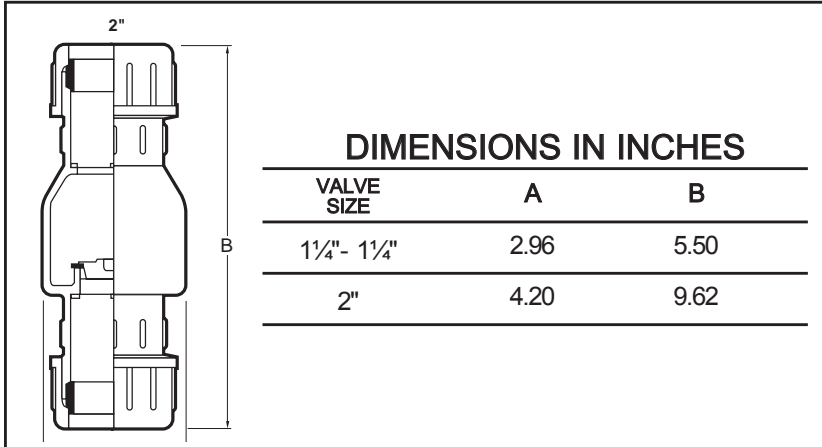
PVC COMPRESSION CHECK VALVE COMPRESSION ENDS *ISO-9002*



LEGEND MODEL S-614 PVC compression swing check valves are constructed of ASTM D1784 virgin PVC resin. They provide backflow prevention in either the vertical or horizontal position. Their full flow design eliminates restrictions. The compression-nut end connections permit installation onto ABS, PVC or steel pipe and are advantageous in situations where there is considerable vibration. This is particularly true in the 2" size sewage ejector installations.

PRESSURE RATING: 75 W.O.G. AT 72° F
MAXIMUM SERVICE TEMPERATURE: 140° F

MATERIAL SPECIFICATION	
PART	MATERIAL
BODY	PVC
COMPRESSION NUT	PVC
SEALS	EPDM
GASKET HOLDER	PVC
FLAPPER	EPDM



PVC CHECK/BALL COMBINATION VALVE ISO-9002

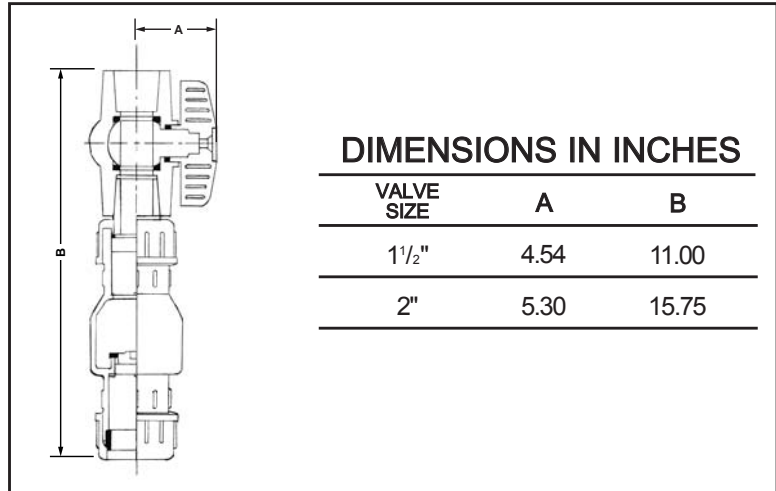


MODEL S-670

MATERIAL SPECIFICATION	
PART	MATERIAL
HANDLE	ABS
STEM PACKING	EPDM
STEM	PVC
BALL	PVC
SEATS	EPDM
BODIES	PVC
O-RING	EPDM
COMPRESSION NUT	PVC
SEALS	EPDM
GASKET HOLDER	PVC
FLAPPER	EPDM

LEGEND MODEL S-670 PVC check/ball combination valve is constructed of ASTM D1784 virgin PVC resin. The S-670 is designed to provide positive backflow prevention in either the vertical or horizontal position. The combination check-and-ball design permit check valve removal and service by closing the attached ball valve. May be installed on schedule 40 or 80 PVC pipe.

PRESSURE RATING: 75 W.O.G. AT 72° F
MAXIMUM SERVICE TEMPERATURE: 140° F



PVC TRUE UNION SWING CHECK VALVE ISO-9002

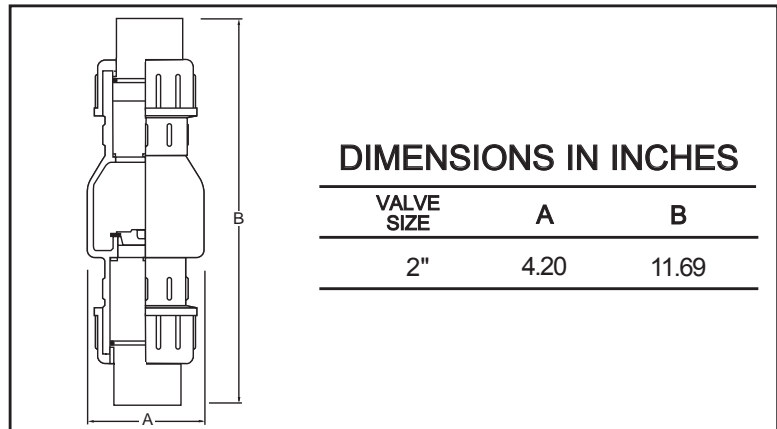


MODEL S-672

MATERIAL SPECIFICATION	
PART	MATERIAL
BODY	PVC
NUT	PVC
O-RING	EPDM
FLAPPER	EPDM
GASKET HOLDER	PVC
END ADAPTERS	PVC

LEGEND MODEL S-672 PVC true union swing check valve is constructed of ASTM D1784 virgin PVC resin. The S-672 is designed to provide positive backflow prevention in either the vertical or horizontal position. The unique double union design facilitates ease of repair and/or maintenance by permitting removal of the check module from the pipeline. The full-flow design eliminates restrictions. May be installed on schedule 40 or 80 PVC pipe.

PRESSURE RATING: 75 W.O.G. AT 72° F
MAXIMUM SERVICE TEMPERATURE: 140° F



PLASTIC PLUMBING VALVES

S-615

Features

- Stop valve
- CPVC body
- 100 W.O.G.
- Solvent ends
- Sizes 1/2" & 3/4"
- Maximum Service Temperature: 180° F



S-617

Features

- Stop & waste
- CPVC body
- 100 W.O.G.
- Solvent ends
- Sizes 1/2" & 3/4"
- Maximum Service Temperature: 180° F



S-619

Features

- Boiler drain
- CPVC body
- 100 W.O.G.
- Solvent x G.H.T.
- Sizes 1/2" & 3/4"
- Maximum Service Temperature: 180° F



S-621

Features

- Stop valve
- PVC body
- 100 W.O.G.
- Solvent ends
- Sizes 1/2" & 3/4"
- Maximum Service Temperature: 140° F



S-622

Features

- Stop & waste
- PVC body
- 100 W.O.G.
- Solvent ends
- Sizes 1/2" & 3/4"
- Maximum Service Temperature: 140° F



T-623

Features

- Stop valve
- Celcon body
- 150 W.O.G.
- I.P.S. ends
- Sizes 1/2" & 3/4"
- Maximum Service Temperature: 180° F



T-624

Features

- Stop & waste
- Celcon body
- 150 W.O.G.
- I.P.S. ends
- Sizes 1/2" & 3/4"
- Maximum Service Temperature: 180° F



T-625

Features

- Boiler drain
- Celcon body
- 150 W.O.G.
- M.I.P. x G.H.T.
- Sizes 1/2" & 3/4"
- Maximum Service Temperature: 180° F



T-626

Features

- Boiler drain
- Celcon body
- 150 W.O.G.
- F.I.P. x G.H.T.
- Sizes 1/2" & 3/4"
- Maximum Service Temperature: 180° F



T-627

Features

- Hose bibb
- Celcon body
- 150 W.O.G.
- M.I.P. x G.H.T.
- Sizes 1/2" & 3/4"
- Maximum Service Temperature: 180° F



T-628

Features

- Sillcock
- Celcon body
- 150 W.O.G.
- F.I.P. x G.H.T.
- Sizes 1/2" & 3/4"
- Maximum Service Temperature: 180° F



PVC & CPVC UNIONS

SOLVENT ENDS

ISO-9002



SCHEDULE 40 UNION

CPVC C.T.S. UNION

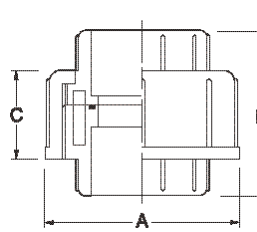


SCHEDULE 80 UNION

MATERIAL SPECIFICATIONS	
PART	MATERIAL
UNION NUT	PVC/UPVC/CPVC
END CONNECTOR	PVC/UPVC/CPVC
BODY	PVC/UPVC/CPVC
O-RING	EPDM

LEGEND PVC AND CPVC UNIONS are constructed of ASTM D1784 virgin PVC, UPVC or CPVC resins. They can be installed on schedule 40 or 80 PVC pipe and CTS CPVC pipe. They are recommended for residential, commercial and industrial applications where temporary removal of a pipeline or pipe component is desired.





DIMENSIONS IN INCHES			
VALVE SIZE	A	B	C
1/2"	2.13	1.97	0.85
3/4"	2.48	2.44	1.06
1"	2.72	2.84	1.33
1 1/4"	3.31	3.23	1.67
1 1/2"	3.55	3.59	1.91
2"	3.74	4.33	2.39
3"	4.96	6.11	3.52

CPVC DIMENSIONS			
VALVE SIZE	A	B	C
1/2"	1.49	1.87	.95
3/4"	1.80	2.15	.83

PVC & CPVC COMPRESSION COUPLINGS

ISO-9002



LEGEND PVC COMPRESSION COUPLINGS are constructed of ASTM D1784 virgin PVC resin. They may be installed in any general piping application, including steel or plastic pipe.

PRESSURE RATING: 150 W.O.G. AT 73° F
MAXIMUM SERVICE TEMPERATURE: 140° F

I.P.S. SIZE	1/2"	3/4"	1"	1 1/4"	1 1/2"	2"	2 1/2"	3"	4"	6"
LENGTH	5"	5 1/4"	5 5/8"	6 1/2"	6 3/4"	7 1/2"	10"	10 3/4"	12"	11 1/2"

LEGEND CPVC COMPRESSION COUPLINGS are constructed of ASTM D1784 virgin CPVC resin. They may be installed on hot or cold water systems and fit tubing size plastic or copper pipe.

PRESSURE RATING: 150 W.O.G. AT 73° F
MAXIMUM SERVICE TEMPERATURE: 180° F

CPVC SIZE	1/2"	3/4"
LENGTH	4 1/2"	5"



PVC & ABS BACKWATER VALVES

SOLVENT ENDS

ISO-9002



MODEL S-640

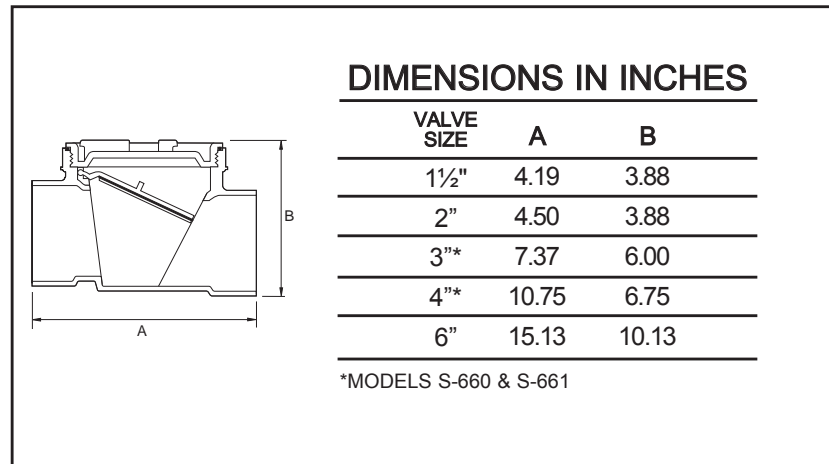


MODEL S-660



16 " ACCESS SLEEVE

LEGEND MODELS S-640/S-641 AND S-660/S-661 backwater valves are constructed of ASTM D1784 virgin resins that will not rust, corrode or pit. They are designed for use in residential and commercial applications to prevent backflow in drainage systems. The stepped construction promotes efficient flow and helps prevent clogging. The access cap facilitates ease of clean-out or repair.



MATERIAL SPECIFICATION	
PART	MATERIAL
BODY	PVC/ABS*
FLAPPER	PVC/ABS*
FLAPPER O-RING	NEOPRENE
ACCESS CAP	PVC/ABS*
ACCESS CAP O-RING	NEOPRENE

*MODELS S-660 & S-661

SCHEDULE 40 OR SCHEDULE 80?

Thermoplastic Valves

It has become standard industry practice to refer to PVC valves as either schedule 80 (grey) or schedule 40 (white). However, because valves are rated by pressure not by wall thickness this is really inaccurate. The wall thickness of pipe changes the inside diameter and not the outside diameter so all PVC valves fit both schedule 80 and 40 pipe. PVC resin can be made any color.

Legend schedule 80 valves (grey) are manufactured with UPVC resin (unplasticized polyvinyl chloride) which increases the tensile strength of plastic. All schedule 80 ball valves use Teflon seats for greater chemical resistance. Our schedule 40 valves (white) are manufactured with PVC resin (polyvinyl chloride). The schedule 40 ball valves use EPDM seats making them competitive, yet reliable. Be sure to ask your PVC valve supplier what resin is being used. You may be receiving a PVC valve that has been made grey.

