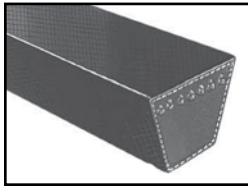




V-BELTS



Fractional Horsepower (FHP) V-Belts - 3L Section

Fractional Horsepower (FHP) V-Belts are ideal for HVAC equipment, appliances, outdoor power equipment, lawn & garden, and various industrial applications. Generally, 3L FHP belts are used individually on drives of 1 horsepower or less.

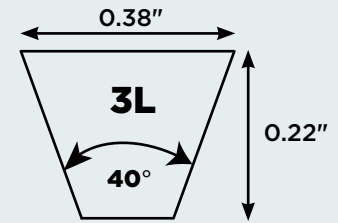
PART NUMBER DESIGNATION

3L130

3 = belt top width in increments of one-eighth inch = 3/8

L = Light Duty (FHP)

130 = outside length in tenths of an inch = 13



Features & Benefits

- **Oil & Heat Resistant** - Durability in tough environments
- **Flexibility** - Ideal for use with backside idlers
- **Static Dissipating** - Safe operation in potentially dangerous atmosphere

Construction

Compound - Natural rubber/SBR

Cord - Polyester

Cover - Cotton/polyester blend

Applications - HVAC Equipment, Lawn & Garden, Appliances, General Industry

Engineering Standards - Conforms to ARPM standard IP 23

Recommended Pulleys - Use pulleys made to ARPM standards

Note - Effective length is approximately equal to outside length

3L SECTION 0.38" TOP WIDTH x 0.22" THICKNESS x 40° ANGLE

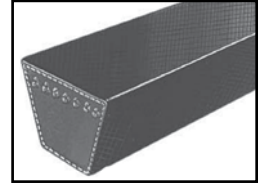
Belt Number	Outside Length (in.)	Approx. Weight (lbs.)	Belt Number	Outside Length (in.)	Approx. Weight (lbs.)	Belt Number	Outside Length (in.)	Approx. Weight (lbs.)	Belt Number	Outside Length (in.)	Approx. Weight (lbs.)
3L130	13.0	0.04	3L290	29.0	0.10	3L450	45.0	0.15	3L610	61.0	0.20
3L140	14.0	0.04	3L300	30.0	0.10	3L460	46.0	0.15	3L620	62.0	0.20
3L150	15.0	0.04	3L310	31.0	0.11	3L470	47.0	0.16	3L630	63.0	0.20
3L160	16.0	0.04	3L315	31.5	0.11	3L475	47.5	0.16	3L640	64.0	0.21
3L170	17.0	0.06	3L320	32.0	0.11	3L480	48.0	0.16	3L650	65.0	0.21
3L180	18.0	0.06	3L330	33.0	0.11	3L490	49.0	0.16	3L660	66.0	0.21
3L190	19.0	0.06	3L340	34.0	0.11	3L500	50.0	0.17	3L670	67.0	0.22
3L200	20.0	0.07	3L350	35.0	0.12	3L510	51.0	0.17	3L680	68.0	0.22
3L210	21.0	0.07	3L360	36.0	0.12	3L520	52.0	0.17	3L690	69.0	0.22
3L220	22.0	0.07	3L370	37.0	0.12	3L530	53.0	0.18	3L700	70.0	0.22
3L230	23.0	0.08	3L380	38.0	0.13	3L540	54.0	0.18	3L710	71.0	0.22
3L240	24.0	0.08	3L390	39.0	0.13	3L550	55.0	0.19	3L720	72.0	0.23
3L250	25.0	0.08	3L400	40.0	0.13	3L560	56.0	0.19	3L730	73.0	0.23
3L260	26.0	0.09	3L410	41.0	0.14	3L570	57.0	0.19	3L740	74.0	0.23
3L270	27.0	0.09	3L420	42.0	0.14	3L580	58.0	0.20	3L750	75.0	0.24
3L280	28.0	0.09	3L430	43.0	0.15	3L590	59.0	0.20	3L760	76.0	0.24
3L285	28.5	0.09	3L440	44.0	0.15	3L600	60.0	0.20			

V-BELTS



UniMatch® Classical Multi-Plus® - A, B, C, D, E

Jason/Megadyne's Multi-Plus® V-Belts are designed to perform in tandem in multiple V-Belt drives, maintaining drive efficiency and classical belt performance. Multi-Plus® V-Belts are always matched, easy to install and maintain. Jason Multi-Plus® V-Belts come in a complete range of sizes, are anti-static and offer oil and heat resistance meeting RMA requirements.



Dual Branding - A and B section belts up to 100" are Dual Branded clearly identifying both ARPM classical and fractional horsepower (FHP) sizes allowing consolidation of your classical and FHP inventory into one belt line - saving you money! No need to carry two separate product lines. The dual part number system is more than just labeling, too. FHP & Classical belts have the same top width dimension but classical profile is deeper, allowing more belt/pulley contact and reducing sheave wear.

Dual Branding Example: A40 (4L420) B78 (5L810)

Features & Benefits

- **UniMatch® Construction** - Consistent performance in multiple V-Belt drives - ensures all belts will measure within ARPM matching standards
- **Dual Branding** - A & B sections dual-branded with classical and FHP part numbers - reduces inventory by allowing you to discontinue 4L and 5L
- **Oil & Heat Resistant** - Durability in tough environments

Construction

Compound - Natural rubber/SBR

Cord - Polyester

Cover - Cotton/polyester blend

Applications - General Industry, HVAC Equipment, Lawn & Garden, Agriculture

Engineering Standards - Conforms to ARPM standard IP 20

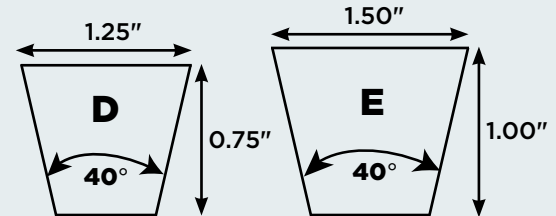
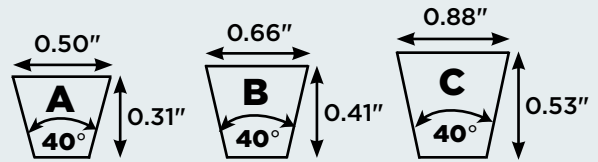
Recommended Pulleys - Use pulleys made to ARPM standards

PART NUMBER DESIGNATION

A15

A = 0.5" belt top width x 0.31" thickness

15 = Inside length in inches



"A" SECTION 0.5" TOP WIDTH x 0.31" THICKNESS x 40° ANGLE

- **Note** - For A Section, add 2 inches for outside length - Example: A15 + 2 inches = 17" approximate outside length

Belt Number	Outside Length (in.)	Approx. Weight (lbs.)	Belt Number	Outside Length (in.)	Approx. Weight (lbs.)	Belt Number	Outside Length (in.)	Approx. Weight (lbs.)	Belt Number	Outside Length (in.)	Approx. Weight (lbs.)
A15	16.0	0.10	A46	48.0	0.30	A78	80.0	0.40	A111	113.0	0.75
A16	17.0	0.10	A47	49.0	0.30	A79	81.0	0.40	A112	114.0	0.80
A17	18.0	0.10	A48	50.0	0.30	A80	82.0	0.40	A113	115.0	0.80
A18	19.0	0.10	A49	51.0	0.30	A81	83.0	0.40	A114	116.0	0.80
A19	20.0	0.10	A50	52.0	0.30	A82	84.0	0.40	A115	117.0	0.80
A20	21.0	0.10	A51	53.0	0.30	A83	85.0	0.40	A116	118.0	0.80
A21	22.0	0.10	A52	54.0	0.30	A84	86.0	0.40	A118	120.0	0.80
A22	23.0	0.10	A53	55.0	0.30	A85	87.0	0.40	A119	121.0	0.80
A23	24.0	0.15	A54	56.0	0.30	A86	88.0	0.40	A120	122.0	0.80
A24	25.0	0.20	A55	57.0	0.30	A87	89.0	0.40	A124	126.0	0.80
A25	26.0	0.20	A56	58.0	0.30	A88	90.0	0.40	A128	130.0	0.80
A26	27.0	0.20	A57	59.0	0.30	A89	91.0	0.40	A130	132.0	0.80
A27	28.0	0.20	A58	60.0	0.30	A90	92.0	0.40	A133	135.0	0.80
A28	29.0	0.20	A59	61.0	0.30	A91	93.0	0.50	A134	136.0	0.80
A29	30.0	0.20	A60	62.0	0.30	A92	94.0	0.50	A135	137.0	0.90
A30	31.0	0.20	A61	63.0	0.30	A93	95.0	0.50	A136	138.0	0.90
A31	32.0	0.20	A62	64.0	0.30	A94	96.0	0.50	A137	139.0	0.90
A32	33.0	0.20	A63	65.0	0.30	A95	97.0	0.50	A140	142.0	0.95
A33	34.0	0.20	A64	66.0	0.30	A96	98.0	0.50	A144	146.0	1.00
A34	35.0	0.20	A65	67.0	0.30	A97	99.0	0.50	A157	159.0	1.10
A35	36.0	0.20	A66	68.0	0.40	A98	100.0	0.50	A158	160.0	1.10
A36	37.0	0.20	A67	69.0	0.40	A99	101.0	0.50	A162	164.0	1.10
A37	38.0	0.20	A68	70.0	0.40	A100	102.0	0.50	A173	175.0	1.15
A38	39.0	0.20	A69	71.0	0.40	A101	103.0	0.50	A180	182.0	1.15
A39	40.0	0.20	A70	72.0	0.40	A103	105.0	0.50	A196	198.0	1.31
A40	41.0	0.20	A71	73.0	0.40	A104	106.0	0.50	A197	199.0	1.31
A41	42.0	0.20	A72	74.0	0.40	A105	107.0	0.50	A210	212.0	1.35
A42	43.0	0.20	A73	75.0	0.40	A106	108.0	0.55	A221	223.0	1.40
A43	44.0	0.20	A74	76.0	0.40	A107	109.0	0.57	A256	258.0	1.70
A44	45.0	0.30	A75	77.0	0.40	A108	110.0	0.60	A258	260.0	1.75
A45	46.0	0.30	A76	78.0	0.40	A109	111.0	0.65			
	47.0	0.30	A77	79.0	0.40	A110	112.0	0.70			

"B," "C," "D" and "E" Multi-Plus® Sections listed on pages 6 & 7

V-BELTS



"D" SECTION 1.25" TOP WIDTH x 0.75" THICKNESS x 40° ANGLE

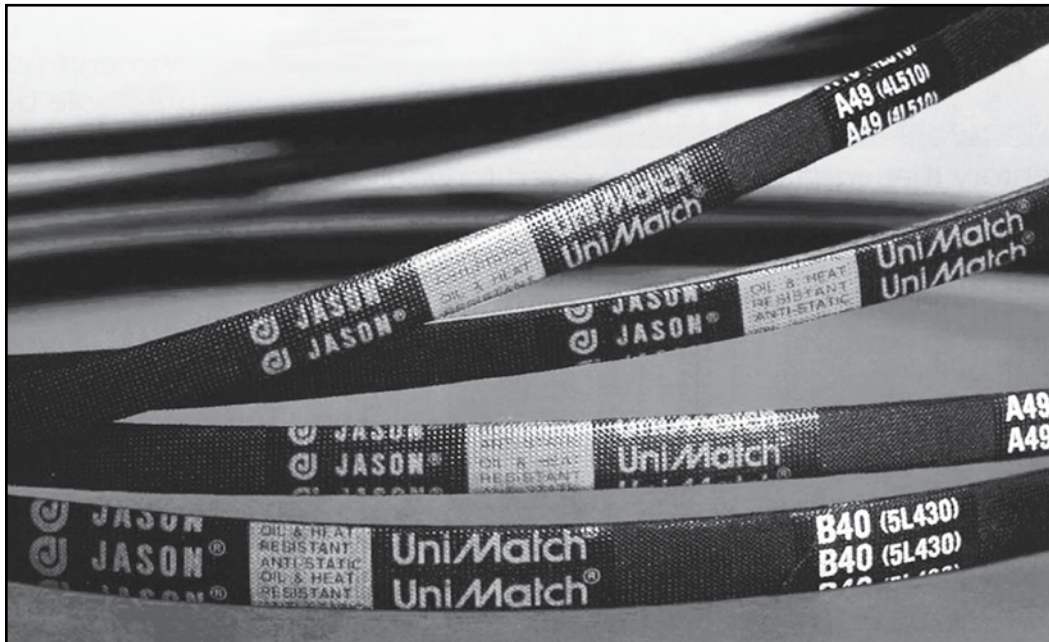
● **Note** - For D Section, add 5 inches for outside length - Example: D90 + 5 inches = 95" approximate outside length

Belt Number	Outside Length (in.)	Approx. Weight (lbs.)	Belt Number	Outside Length (in.)	Approx. Weight (lbs.)	Belt Number	Outside Length (in.)	Approx. Weight (lbs.)	Belt Number	Outside Length (in.)	Approx. Weight (lbs.)
D90	95.0	3.40	D171	176.0	6.40	D270	273.0	10.00	D420	423.0	15.80
D105	110.0	4.00	D173	178.0	6.50	D285	288.0	10.70	D441	444.0	16.50
D115	120.0	4.30	D180	185.0	6.80	D300	303.0	11.20	D450	453.0	16.95
D120	125.0	4.50	D195	200.0	7.30	D315	318.0	11.80	D480	483.0	18.10
D128	133.0	4.80	D205	210.0	7.90	D330	333.0	12.40	D540	543.0	20.20
D132	137.0	5.00	D210	215.0	8.40	D345	348.0	12.60	D600	603.0	22.40
D136	141.0	5.20	D225	228.0	8.40	D355	358.0	13.00	D660	663.0	24.80
D144	149.0	5.40	D240	243.0	9.00	D360	363.0	13.50			
D158	163.0	6.00	D248	251.0	9.00	D390	393.0	14.60			
D162	167.0	6.10	D255	258.0	9.50	D394	397.0	14.80			

"E" SECTION 1.5" TOP WIDTH x 1" THICKNESS x 40° ANGLE

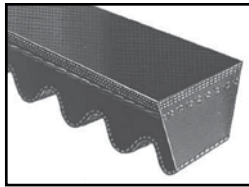
● **Note** - For E Section, add 6 inches for outside length - Example: E144 + 6 inches = 150" approximate outside length

Belt Number	Outside Length (in.)	Approx. Weight (lbs.)	Belt Number	Outside Length (in.)	Approx. Weight (lbs.)	Belt Number	Outside Length (in.)	Approx. Weight (lbs.)	Belt Number	Outside Length (in.)	Approx. Weight (lbs.)
E144	150.0	9.30	E225	231.0	13.00	E310	316.0	17.60	E420	426.0	23.80
E180	186.0	9.30	E240	246.0	13.50	E330	336.0	18.80	E441	447.0	25.00
E195	201.0	10.00	E270	276.0	15.30	E360	366.0	20.40	E460	466.0	26.00
E210	216.0	12.00	E300	306.0	17.00	E390	396.0	22.10	E480	486.0	28.00





V-BELTS



UniMatch® Cogged Raw Edge Classical V-Belts - AX, BX, CX (Oil & Heat Resistant/Static Dissipating)

ARPM specification multiple V-belts in raw edge, cogged construction are especially useful for high-speed compact drives. These belts all have the UniMatch® feature. Raw edge, cogged multiple V-belts are listed by industry number in which the first letter indicates belt section, the "X" signifies cogged, raw edge that has greater power capacity than the standard wrapped construction. The number is the ARPM belt designation number.

Features & Benefits

- **Raw Edge Sidewalls** - Eliminates slippage and increases efficiency versus wrapped V-belts and saves energy
- **UniMatch® Construction** - Consistent performance in multiple V-belt drives and ensures all belts of the same size measure within ARPM matching limits
- **Oil & Heat Resistant** - Better than standard belts in oily environments (occasional splash) and higher ambient temperatures

Construction

Compound - Chloroprene

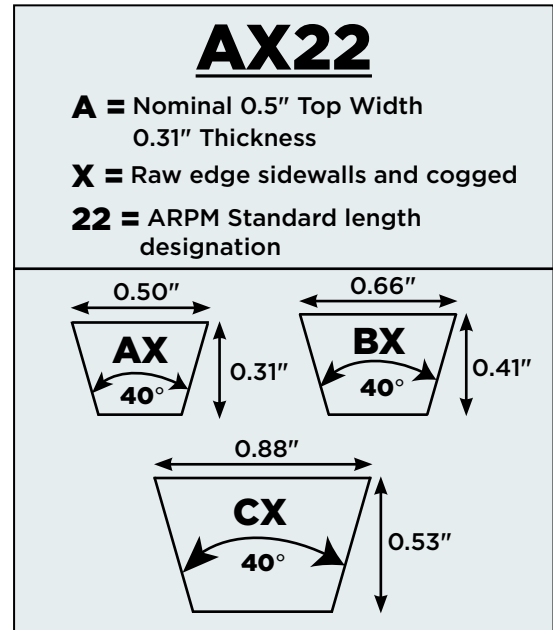
Cord - Polyester

Top Fabric - Cotton/polyester blend

Applications - General Industry, HVAC Equipment, Lawn & Garden, Agriculture

Engineering Standards - Conforms to ARPM standard IP-20

Recommended Pulleys - Use pulleys made to ARPM standards



"AX" SECTION 0.5" TOP WIDTH x 0.31" THICK x 40° ANGLE

● **Note** - For AX Section, add 2 inches for outside length - **Example: AX22 + 2 inches = 24" approximate outside length**

Belt Number	Outside Length (in.)	Approx. Weight (lbs.)	Belt Number	Outside Length (in.)	Approx. Weight (lbs.)	Belt Number	Outside Length (in.)	Approx. Weight (lbs.)	Belt Number	Outside Length (in.)	Approx. Weight (lbs.)
AX22	24.0	0.17	AX40	42.0	0.26	AX58	60.0	0.38	AX78	80.0	0.51
AX23	25.0	0.17	AX41	43.0	0.27	AX59	61.0	0.40	AX80	82.0	0.52
AX24	26.0	0.17	AX42	44.0	0.28	AX60	62.0	0.40	AX84	86.0	0.54
AX25	27.0	0.18	AX43	45.0	0.29	AX61	63.0	0.40	AX85	87.0	0.55
AX26	28.0	0.18	AX44	46.0	0.30	AX62	64.0	0.41	AX86	88.0	0.56
AX27	29.0	0.18	AX45	47.0	0.31	AX63	65.0	0.41	AX90	92.0	0.59
AX28	30.0	0.19	AX46	48.0	0.31	AX64	66.0	0.42	AX92	94.0	0.61
AX29	31.0	0.20	AX47	49.0	0.31	AX65	67.0	0.43	AX96	98.0	0.62
AX30	32.0	0.20	AX48	50.0	0.32	AX66	68.0	0.43	AX105	107.0	0.68
AX31	33.0	0.21	AX49	51.0	0.33	AX67	69.0	0.44	AX108	110.0	0.70
AX32	34.0	0.21	AX50	52.0	0.33	AX68	70.0	0.45	AX110	112.0	0.71
AX33	35.0	0.22	AX51	53.0	0.34	AX69	71.0	0.46	AX112	114.0	0.73
AX34	36.0	0.23	AX52	54.0	0.35	AX70	72.0	0.46	AX120	122.0	0.74
AX35	37.0	0.24	AX53	55.0	0.35	AX71	73.0	0.47	AX128	130.0	0.78
AX36	38.0	0.24	AX54	56.0	0.36	AX72	74.0	0.48	AX136	138.0	0.82
AX37	39.0	0.25	AX55	57.0	0.36	AX73	75.0	0.48			
AX38	40.0	0.26	AX56	58.0	0.37	AX75	77.0	0.49			
AX39	41.0	0.26	AX57	59.0	0.37	AX76	78.0	0.50			

V-BELTS



"BX" SECTION 0.66" TOP WIDTH x 0.41" THICK x 40° ANGLE

● **Note** - For BX Section, add 3 inches for outside length - Example: BX30 + 3 inches = 33" approximate outside length

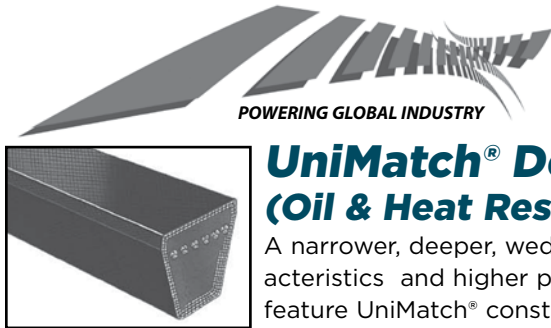
Belt Number	Outside Length (in.)	Approx. Weight (lbs.)	Belt Number	Outside Length (in.)	Approx. Weight (lbs.)	Belt Number	Outside Length (in.)	Approx. Weight (lbs.)	Belt Number	Outside Length (in.)	Approx. Weight (lbs.)
BX30	33.0	0.38	BX54	57.0	0.60	BX78	81.0	0.86	BX105	108.0	1.14
BX31	34.0	0.39	BX55	58.0	0.61	BX79	82.0	0.87	BX108	111.0	1.17
BX32	35.0	0.39	BX56	59.0	0.62	BX80	83.0	0.88	BX112	115.0	1.22
BX33	36.0	0.39	BX57	60.0	0.63	BX81	84.0	0.89	BX113	116.0	1.22
BX34	37.0	0.39	BX58	61.0	0.64	BX82	85.0	0.90	BX115	118.0	1.25
BX35	38.0	0.40	BX59	62.0	0.66	BX83	86.0	0.91	BX116	119.0	1.26
BX36	39.0	0.42	BX60	63.0	0.67	BX84	87.0	0.92	BX120	123.0	1.30
BX37	40.0	0.43	BX61	64.0	0.68	BX85	88.0	0.93	BX124	127.0	1.30
BX38	41.0	0.43	BX62	65.0	0.69	BX86	89.0	0.93	BX128	131.0	1.30
BX39	42.0	0.45	BX63	66.0	0.70	BX87	90.0	0.93	BX133	136.0	1.34
BX40	43.0	0.46	BX64	67.0	0.71	BX88	91.0	0.95	BX136	139.0	1.37
BX41	44.0	0.47	BX65	68.0	0.72	BX89	92.0	0.96	BX140	143.0	1.40
BX42	45.0	0.48	BX66	69.0	0.73	BX90	93.0	0.98	BX144	147.0	1.45
BX43	46.0	0.49	BX67	70.0	0.74	BX91	94.0	0.99	BX150	153.0	1.51
BX44	47.0	0.50	BX68	71.0	0.75	BX92	95.0	1.00	BX158	161.0	1.59
BX45	48.0	0.51	BX69	72.0	0.76	BX93	96.0	1.01	BX162	165.0	1.63
BX46	49.0	0.52	BX70	73.0	0.77	BX94	97.0	1.02	BX173	176.0	1.74
BX47	50.0	0.53	BX71	74.0	0.78	BX95	98.0	1.03	BX180	183.0	1.81
BX48	51.0	0.54	BX72	75.0	0.79	BX96	99.0	1.05	BX195	198.0	1.96
BX49	52.0	0.55	BX73	76.0	0.80	BX97	100.0	1.06	BX210	213.0	2.10
BX50	53.0	0.56	BX74	77.0	0.81	BX98	101.0	1.07	BX225	227.0	2.30
BX51	54.0	0.57	BX75	78.0	0.82	BX99	102.0	1.08	BX240	242.0	2.36
BX52	55.0	0.58	BX76	79.0	0.83	BX100	103.0	1.09	BX255	257.0	2.50
BX53	56.0	0.59	BX77	80.0	0.85	BX103	106.0	1.12	BX270	272.0	2.64

"CX" SECTION 0.88" TOP WIDTH x 0.53" THICK x 40° ANGLE

● **Note** - For CX Section, add 4 inches for outside length - Example: CX51 + 4 inches = 55" approximate outside length

Belt Number	Outside Length (in.)	Approx. Weight (lbs.)	Belt Number	Outside Length (in.)	Approx. Weight (lbs.)	Belt Number	Outside Length (in.)	Approx. Weight (lbs.)	Belt Number	Outside Length (in.)	Approx. Weight (lbs.)
CX51	55.0	1.07	CX81	85.0	1.64	CX109	113.0	2.18	CX173	177.0	3.15
CX60	64.0	1.24	CX82	86.0	1.67	CX112	116.0	2.24	CX180	184.0	3.27
CX68	72.0	1.39	CX83	87.0	1.69	CX115	119.0	2.29	CX187	191.0	3.40
CX71	75.0	1.45	CX84	88.0	1.71	CX120	124.0	2.39	CX190	194.0	3.46
CX73	77.0	1.49	CX85	89.0	1.72	CX123	127.0	2.40	CX195	199.0	3.55
CX74	78.0	1.51	CX86	90.0	1.75	CX128	132.0	2.42	CX210	214.0	3.77
CX75	79.0	1.53	CX87	91.0	1.79	CX133	137.0	2.47	CX240	243.0	4.30
CX76	80.0	1.55	CX88	92.0	1.79	CX136	140.0	2.49	CX255	258.0	4.58
CX77	81.0	1.57	CX89	93.0	1.81	CX144	148.0	2.63	CX270	273.0	4.85
CX78	82.0	1.59	CX90	94.0	1.81	CX150	154.0	2.75			
CX79	83.0	1.61	CX96	100.0	1.93	CX158	162.0	2.90			
CX80	84.0	1.63	CX105	109.0	2.10	CX162	166.0	2.95			





V-BELTS

UniMatch® Deep Wedge V-Belts - 3V, 5V, 8V (Oil & Heat Resistant/Static Dissipating)

A narrower, deeper, wedge shape than classical V-belts with more efficient load carrying characteristics and higher power capability, allowing for smaller, more compact drives. These belts feature UniMatch® construction, which eliminates the need for belt set matching. Stock UniMatch® Deep Wedge V-belts conform to ARPM Engineering Standard IP-22. Deep Wedge V-belts are identified by a number and letter specifying the belt section and a number giving the outside length in inches multiplied by 10 - **Example: 3V250.**

Features & Benefits

- **High Power Capability** - Higher power with a more compact drive
- **UniMatch® Construction** - Consistent performance in multiple V-belt drives and ensures all belts of the same size measure within ARPM matching limits
- **Oil & Heat Resistant** - Standard construction belts that deliver excellent performance in most drive conditions

Construction

Compound - Natural Rubber/SBR

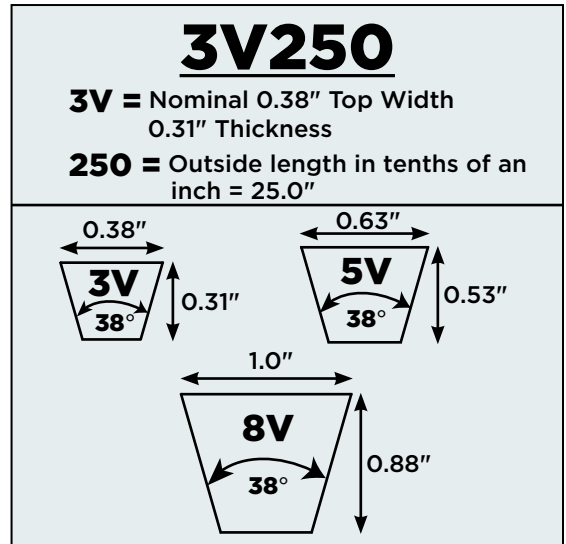
Cord - Polyester

Cover - Cotton/polyester blend

Applications - General Industry, Agriculture

Engineering Standards - Conforms to ARPM standard IP-22

Recommended Pulleys - Use pulleys made to ARPM standards



"3V" SECTION 0.38" TOP WIDTH x 0.31" THICK x 38° ANGLE

Belt Number	Outside Length (in.)	Approx. Weight (lbs.)	Belt Number	Outside Length (in.)	Approx. Weight (lbs.)	Belt Number	Outside Length (in.)	Approx. Weight (lbs.)	Belt Number	Outside Length (in.)	Approx. Weight (lbs.)
3V250	25.0	0.10	3V425	42.5	0.20	3V670	67.0	0.30	3V1000	100.0	0.40
3V265	26.5	0.10	3V450	45.0	0.20	3V710	71.0	0.30	3V1060	106.0	0.40
3V280	28.0	0.10	3V475	47.5	0.20	3V730	73.0	0.30	3V1120	112.0	0.50
3V300	30.0	0.10	3V500	50.0	0.20	3V750	75.0	0.30	3V1180	118.0	0.50
3V315	31.5	0.10	3V530	53.0	0.20	3V800	80.0	0.30	3V1250	125.0	0.60
3V335	33.5	0.20	3V560	56.0	0.20	3V830	83.0	0.35	3V1320	132.0	0.60
3V355	35.5	0.20	3V600	60.0	0.20	3V850	85.0	0.40	3V1400	140.0	0.70
3V375	37.5	0.20	3V630	63.0	0.30	3V900	90.0	0.40			
3V400	40.0	0.20	3V650	65.0	0.30	3V950	95.0	0.40			

"5V" SECTION 0.63" TOP WIDTH x 0.53" THICK x 38° ANGLE

Belt Number	Outside Length (in.)	Approx. Weight (lbs.)	Belt Number	Outside Length (in.)	Approx. Weight (lbs.)	Belt Number	Outside Length (in.)	Approx. Weight (lbs.)	Belt Number	Outside Length (in.)	Approx. Weight (lbs.)
5V500	50.0	0.60	5V850	85.0	0.90	5V1400	140.0	1.50	5V2240	224.0	2.70
5V530	53.0	0.70	5V900	90.0	0.90	5V1500	150.0	1.60	5V2360	236.0	2.80
5V560	56.0	0.70	5V950	95.0	0.90	5V1600	160.0	1.70	5V2500	250.0	3.00
5V600	60.0	0.70	5V1000	100.0	1.10	5V1630	163.0	1.80	5V2650	265.0	3.10
5V630	63.0	0.70	5V1060	106.0	1.10	5V1700	170.0	1.90	5V2800	280.0	3.30
5V670	67.0	0.80	5V1120	112.0	1.20	5V1800	180.0	2.20	5V3000	300.0	3.50
5V710	71.0	0.80	5V1180	118.0	1.30	5V1900	190.0	2.20	5V3150	315.0	3.80
5V750	75.0	0.80	5V1250	125.0	1.30	5V2000	200.0	2.20	5V3350	335.0	3.90
5V800	80.0	0.90	5V1320	132.0	1.40	5V2120	212.0	2.40	5V3550	355.0	4.00

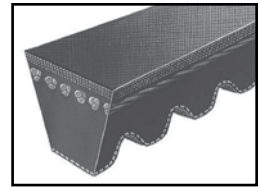
"8V" SECTION 1" TOP WIDTH x 0.88" THICK x 38° ANGLE

Belt Number	Outside Length (in.)	Approx. Weight (lbs.)	Belt Number	Outside Length (in.)	Approx. Weight (lbs.)	Belt Number	Outside Length (in.)	Approx. Weight (lbs.)	Belt Number	Outside Length (in.)	Approx. Weight (lbs.)
8V1000	100.0	3.50	8V1700	170.0	5.90	8V2650	265.0	9.30	8V4000	400.0	14.00
8V1060	106.0	3.70	8V1800	180.0	6.30	8V2800	280.0	9.80	8V4250	425.0	14.90
8V1120	112.0	3.90	8V1900	190.0	6.70	8V3000	300.0	10.50	8V4500	450.0	15.80
8V1180	118.0	4.20	8V2000	200.0	7.00	8V3150	315.0	11.10	8V4750	475.0	16.40
8V1250	125.0	4.40	8V2120	212.0	7.50	8V3300	330.0	11.60	8V5000	500.0	17.20
8V1320	132.0	4.70	8V2240	224.0	7.90	8V3350	335.0	11.80	8V5600	560.0	19.00
8V1400	140.0	4.90	8V2360	236.0	8.30	8V3550	355.0	12.50			
8V1500	150.0	5.20	8V2500	250.0	8.80	8V3600	360.0	12.90			
8V1600	160.0	5.60	8V2550	255.0	9.00	8V3750	375.0	13.30			

V-BELTS



UniMatch® Cogged Raw Deep Wedge V-Belts - 3VX, 5VX (Oil & Heat Resistant/Static Dissipating)



UniMatch® Cogged Raw Edge construction further increases the effective power transmission of Deep Wedge V-belts. These cogged deep wedge UniMatch® V-belts need no belt set matching. Stock UniMatch® Raw Edge, Cogged Deep Wedge V-belts are listed in this section. Cogged Raw Edge Deep Wedge V-belts are identified by a number followed by two letters indicating belt cross section and cogged construction. The number following is the outside length in inches multiplied by 10 - **Example 3VX250**.

Features & Benefits

- **High Power Capability** - Higher power with a more compact drive
- **Raw Edge Sidewalls** - Increased aggressiveness reduces slippage and increases efficiency versus wrapped V-belts. Saves energy
- **UniMatch® Construction** - Consistent performance in multiple V-belt drives and ensures all belts of the same size measure within ARPM matching limits
- **Oil & Heat Resistant** - Better than standard belts in oily environments (occasional splash) and higher ambient temperatures

Construction

Compound - Chloroprene

Cord - Polyester

Applications - General Industry, Agriculture

Engineering Standards - Conforms to ARPM standard IP-22

Recommended Pulleys - Use pulleys made to ARPM standards

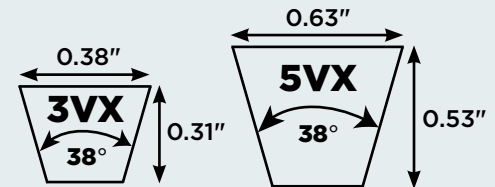
PART NUMBER DESIGNATION

3VX250

3V = Nominal 0.38" Top Width
0.31" Thickness

X = Raw edge sidewalls and cogged

250 = Outside length in tenths of an inch = 25.0"



"3VX" SECTION 0.38" TOP WIDTH x 0.31" THICK x 38° ANGLE

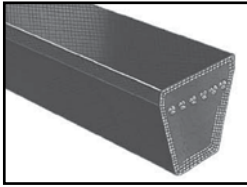
Belt Number	Outside Length (in.)	Approx. Weight (lbs.)	Belt Number	Outside Length (in.)	Approx. Weight (lbs.)	Belt Number	Outside Length (in.)	Approx. Weight (lbs.)	Belt Number	Outside Length (in.)	Approx. Weight (lbs.)
3VX250	25.0	0.10	3VX390	39.0	0.20	3VX630	60.0	0.30	3VX1060	106.0	0.50
3VX265	26.5	0.10	3VX400	40.0	0.20	3VX670	67.0	0.30	3VX1120	112.0	0.50
3VX280	28.0	0.10	3VX425	42.5	0.20	3VX710	71.0	0.30	3VX1180	118.0	0.60
3VX290	29.0	0.10	3VX450	45.0	0.20	3VX750	75.0	0.30	3VX1250	125.0	0.60
3VX300	30.0	0.10	3VX475	47.5	0.20	3VX800	80.0	0.40	3VX1320	132.0	0.70
3VX315	31.5	0.10	3VX500	50.0	0.20	3VX850	85.0	0.40	3VX1400	140.0	0.70
3VX335	33.5	0.20	3VX530	53.0	0.20	3VX900	90.0	0.40			
3VX355	35.5	0.20	3VX560	56.0	0.20	3VX950	95.0	0.40			
3VX375	37.5	0.20	3VX600	60.0	0.30	3VX1000	100.0	0.40			

"5VX" SECTION 0.63" TOP WIDTH x 0.53" THICK x 38° ANGLE

Belt Number	Outside Length (in.)	Approx. Weight (lbs.)	Belt Number	Outside Length (in.)	Approx. Weight (lbs.)	Belt Number	Outside Length (in.)	Approx. Weight (lbs.)	Belt Number	Outside Length (in.)	Approx. Weight (lbs.)
5VX450	45.0	0.55	5VX610	61.0	0.80	5VX830	83.0	0.90	5VX1120	112.0	1.30
5VX470	47.0	0.60	5VX630	63.0	0.80	5VX840	84.0	0.90	5VX1150	115.0	1.40
5VX490	49.0	0.60	5VX650	65.0	0.80	5VX850	85.0	0.90	5VX1180	118.0	1.40
5VX500	50.0	0.60	5VX670	67.0	0.80	5VX860	86.0	0.90	5VX1230	123.0	1.50
5VX510	51.0	0.65	5VX680	68.0	0.80	5VX880	88.0	0.90	5VX1250	125.0	1.50
5VX530	53.0	0.70	5VX690	69.0	0.80	5VX900	90.0	1.00	5VX1320	132.0	1.60
5VX540	54.0	0.70	5VX710	71.0	0.80	5VX930	93.0	1.10	5VX1400	140.0	1.70
5VX550	55.0	0.70	5VX730	73.0	0.80	5VX950	95.0	1.10	5VX1500	150.0	1.80
5VX560	56.0	0.70	5VX740	74.0	0.80	5VX960	96.0	1.10	5VX1600	160.0	1.90
5VX570	57.0	0.70	5VX750	75.0	0.80	5VX1000	100.0	1.20	5VX1700	170.0	2.00
5VX580	58.0	0.70	5VX780	78.0	0.85	5VX1030	103.0	1.20	5VX1800	180.0	2.10
5VX590	59.0	0.70	5VX800	80.0	0.90	5VX1060	106.0	1.20	5VX1900	190.0	2.30
5VX600	60.0	0.70	5VX810	81.0	0.90	5VX1080	108.0	1.30	5VX2000	200.0	2.40



V-BELTS



UniMatch® SP Series Metric V-Belts - SPZ, SPA, SPB, SPC (Oil & Heat Resistant/Static Dissipating)

Built to ISO Standard 4184. SP series V-belts were the forerunners of the deep wedge, high capacity V-belt sections. These deep-wedge belts (38°) allow for more power, high speed ratios, smaller center distances and more compact drives. They are replacement belts for many imported machines and for machinery built for export.

These V-belts also have the UniMatch® feature. This eliminates belt set matching with its multiple stocking problems. Non-standard lengths are available on special order. SP series Metric V-belts are specified by letters indicating the section and numbers giving the pitch length in millimeters - **Example: SPZ512**.

NOTE: Belt sizes up to 2240mm in length are also available in raw edge cogged construction. These belts are designated by an "X" prefix rather than an "S" - **Example: XPB1400**. For Raw Edge Cogged Construction, add 25% to the list price.

Although metric V-belts are generally designated by section and datum length, they are sometimes labeled with the section letters, belt length in millimeters and the letters "La" (approximate length), "Li" (inside length) or "Lw" (effective length). Care should be used here since all manufacturers do not use the same definitions.

Features & Benefits

- **High Power Capability** - Higher power with a more compact drive
- **Static Dissipating** - Safe operation in potentially dangerous atmosphere
- **UniMatch® Construction** - Consistent performance in multiple V-belt drives and ensures all belts of the same size measure within ISO 4184 matching limits
- **Oil & Heat Resistant** - Better than standard belts in oily environments (occasional splash) and higher ambient temperatures

Construction

Compound - Natural Rubber/SBR

Cord - Polyester

Cover - Cotton/polyester blend

Applications - General Industry, Agriculture

Engineering Standards - Conforms to ISO Standard 4184

Recommended Pulleys - Use pulleys made to ISO 4143 standards

Special Constructions - Available in raw edge cogged construction by special order (XPZ, XPA, XPB). Up to 2240mm in all sections.

Non-Standard Lengths - Available by special order

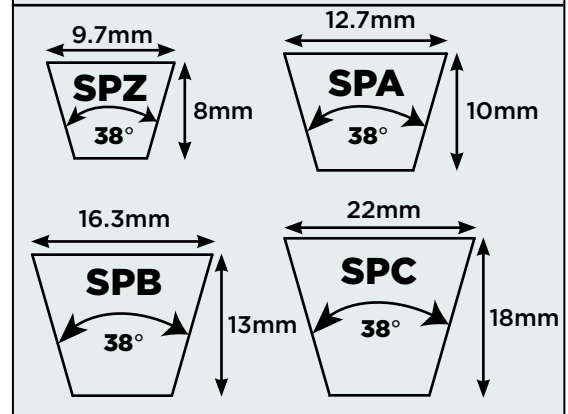
PART NUMBER DESIGNATION

SPZ512

SP = Metric V-belt

Z = Top width - 9.7mm
Thickness - 8mm

512 = Pitch length in millimeters





V-BELTS

"SPB" SECTION METRIC 16.3mm TOP WIDTH, 13mm THICK

● **Note** - For SPB Section, add 22mm to pitch length for outside length - **Example: SPB1250 + 22mm = 1272mm outside length**

Belt Number	Outside Length (mm)	Approx. Weight (lbs.)	Belt Number	Outside Length (mm)	Approx. Weight (lbs.)	Belt Number	Outside Length (mm)	Approx. Weight (lbs.)	Belt Number	Outside Length (mm)	Approx. Weight (lbs.)
SPB1250	1272.0	0.60	SPB2060	2082.0	1.10	SPB2990	3012.0	1.50	SPB4750	4772.0	2.30
SPB1260	1282.0	0.60	SPB2120	2142.0	1.10	SPB3000	3022.0	1.50	SPB4820	4842.0	2.40
SPB1320	1342.0	0.70	SPB2150	2172.0	1.10	SPB3070	3092.0	1.60	SPB4870	4892.0	2.40
SPB1340	1362.0	0.70	SPB2180	2202.0	1.10	SPB3150	3172.0	1.60	SPB5000	5022.0	2.50
SPB1400	1422.0	0.70	SPB2240	2262.0	1.10	SPB3170	3192.0	1.60	SPB5070	5092.0	2.60
SPB1410	1432.0	0.70	SPB2280	2302.0	1.10	SPB3250	3272.0	1.60	SPB5300	5322.0	2.70
SPB1450	1472.0	0.80	SPB2300	2322.0	1.20	SPB3340	3362.0	1.60	SPB5380	5402.0	2.70
SPB1500	1522.0	0.80	SPB2350	2372.0	1.20	SPB3350	3372.0	1.70	SPB5600	5622.0	2.80
SPB1550	1572.0	0.80	SPB2360	2382.0	1.20	SPB3412	3434.0	1.70	SPB5680	5702.0	2.80
SPB1590	1612.0	0.80	SPB2410	2432.0	1.20	SPB3450	3472.0	1.70	SPB5990	6012.0	2.90
SPB1600	1622.0	0.80	SPB2430	2452.0	1.20	SPB3550	3572.0	1.70	SPB6000	6022.0	3.00
SPB1650	1672.0	0.90	SPB2500	2522.0	1.20	SPB3650	3672.0	1.80	SPB6300	6322.0	3.10
SPB1700	1722.0	0.90	SPB2530	2552.0	1.30	SPB3750	3772.0	1.80	SPB6340	6362.0	3.20
SPB1750	1772.0	0.90	SPB2580	2602.0	1.30	SPB3800	3822.0	1.90	SPB6700	6722.0	3.40
SPB1800	1822.0	0.90	SPB2650	2682.0	1.30	SPB4000	4022.0	2.00	SPB7100	7122.0	3.60
SPB1850	1872.0	0.90	SPB2680	2702.0	1.40	SPB4060	4082.0	2.00	SPB7500	7522.0	3.70
SPB1900	1922.0	0.90	SPB2720	2742.0	1.40	SPB4250	4272.0	2.10	SPB7990	8012.0	4.00
SPB1950	1972.0	1.00	SPB2800	2822.0	1.40	SPB4310	4332.0	2.10	SPB8000	8022.0	4.00
SPB2000	2022.0	1.00	SPB2840	2862.0	1.50	SPB4500	4522.0	2.20			
SPB2020	2042.0	1.10	SPB2900	2922.0	1.50	SPB4560	4582.0	2.20			

"SPC" SECTION METRIC 22mm TOP WIDTH, 18mm THICK

● **Note** - For SPC Section, add 30mm to pitch length for outside length - **Example: SPCB1700 + 30mm = 1730mm outside length**

Belt Number	Outside Length (mm)	Approx. Weight (lbs.)	Belt Number	Outside Length (mm)	Approx. Weight (lbs.)	Belt Number	Outside Length (mm)	Approx. Weight (lbs.)	Belt Number	Outside Length (mm)	Approx. Weight (lbs.)
SPC1700	1730.0	1.60	SPC2800	2830.0	2.20	SPC4750	4780.0	3.70	SPC8500	8530.0	6.70
SPC1800	1830.0	1.60	SPC3000	3030.0	2.40	SPC5000	5030.0	3.90	SPC9000	9030.0	7.10
SPC1900	1930.0	1.70	SPC3150	3150.0	2.50	SPC5300	5330.0	4.20	SPC10000	10030.0	7.90
SPC2000	2030.0	1.70	SPC3350	3380.0	2.60	SPC5600	5630.0	4.40	SPC10600	10630.0	8.30
SPC2120	2150.0	1.80	SPC3550	3580.0	2.80	SPC6300	6330.0	4.90	SPC11200	11230.0	8.80
SPC2240	2270.0	1.80	SPC3750	3780.0	2.90	SPC6700	6730.0	5.20	SPC11800	11830.0	9.30
SPC2360	2390.0	1.90	SPC4000	4030.0	3.10	SPC7100	7130.0	5.60	SPC12500	12530.0	9.90
SPC2500	2530.0	2.00	SPC4250	4280.0	3.30	SPC7500	7530.0	5.90			
SPC2650	2680.0	2.10	SPC4500	4530.0	3.50	SPC8000	8030.0	6.30			



V-BELTS



Accu-Link® Detachable Link Type V-Belt - The Ideal Replacement Belt for Conventional Rubber V-Belts!

Accu-Link® detachable tab type link belting is the ideal substitute for conventional rubber V-belts. Make endless with a simple twist - no tools required! Polyester fabric is impregnated with a premium polyurethane compound that eliminates elongation and improves tensile strength for longer life.

Jason/Megadyne's exclusive manufacturing process makes Accu-Link® the most precise belt of its type, for optimum sidewall fit with the pulley.

Accu-Link® is available in 25 ft. and 100 ft. cartons.

3L and A-Link also available in 5 ft. sleeved length. B-Link also available in 6 ft. sleeved length.

Features & Benefits

- **Durable Urethane Coating** - Increased life and durability
- **Rugged Polyester Fabric** - Strength and longer life; maximum horsepower
- **Can Be Assembled In Any Length** - Readily available in emergencies - reduces inventory
- **Easy Assembly - No Tools Needed** - Assemble by hand, a fast and reliable solution, minimizes downtime
- **Chemical and High Temperature Resistance** - Dependability in harsh environments
- **Segmented Link Construction** - Rolls onto drive pulleys like chain - no cords to break
Reduced vibration over conventional V-belts
- **Versatility** - Can be used in any industry, hundreds of applications
Can be used as singles or multiple V-belts
- **Horsepower Capacity** - Power ratings equal to conventional V-belts
- **Interchangeability** - Can be installed on existing pulleys with no changes in set-up

Where to Use Accu-Link®

- Temporary or permanent substitution for conventional rubber V-belts
- Any V-belt application where it is difficult to install an endless belt - avoid costly labor-intensive machine teardowns
- V-belt applications where chemical resistance and high temperature resistance is needed
- Mobile Service Vehicles where carrying a large inventory of belts is not practical

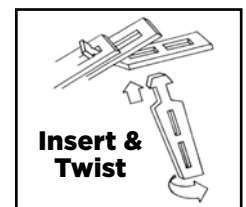
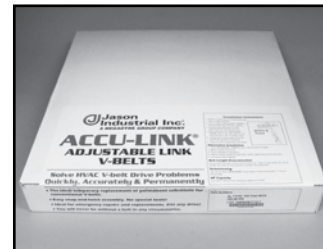
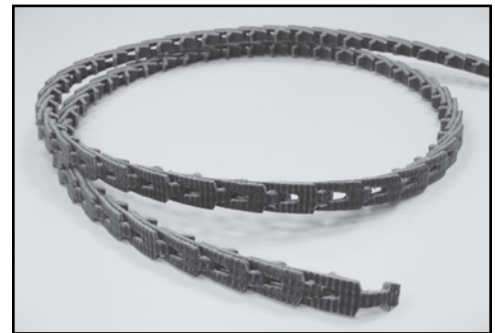
Applications - Poultry, HVAC, General Industry, Lawn & Garden, Agriculture

Engineering Standards - None - No engineering standard exists for link-type belting

Recommended Pulleys - Use pulleys made to ARPM standards

Temperature Range - -13°F/+176°F (-25°C/+80°C)

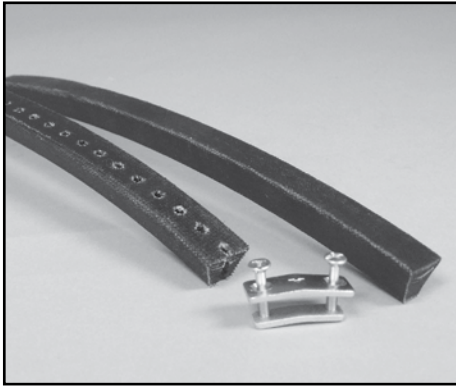
Availability - 3L, A, B, C, CC sections



BELT TYPE/SECTION	PART NUMBER	LENGTH (FEET)	WEIGHT PER FOOT (LBS.)	PACKAGING
3L	3L-LINK-5	5	0.5	5 ft. in one sleeve
	3L-LINK-25	25	0.5	25 ft. in one carton
	3L-LINK-100	100	0.5	100 ft. in one carton
A	A-LINK-5	5	0.6	5 ft. in one sleeve
	A-LINK-25	25	0.6	25 ft. in one carton
	A-LINK-100	100	0.6	100 ft. in one carton
B	B-LINK-6	6	0.9	6 ft. in one sleeve
	B-LINK-25	25	0.9	25 ft. in one carton
	B-LINK-100	100	0.9	100 ft. in one carton
C	C-LINK-25	25	.17	25 ft. in one carton



V-BELTS



Open-End V-Belting - 3L/O, A, B, C Available in Perforated or Solid Construction

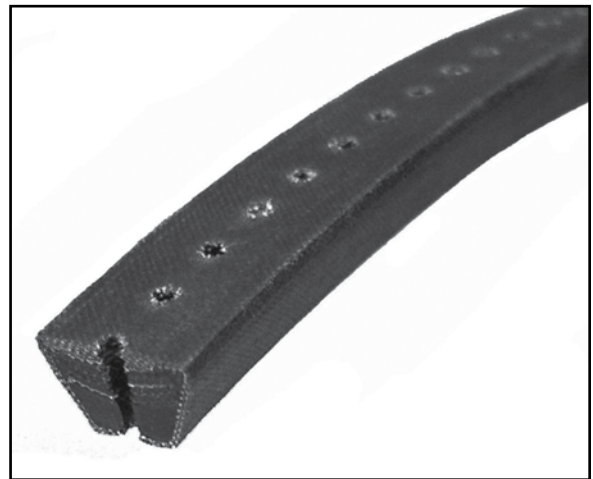
Open-End V-belting is used for specialized requirements where difficulty of installation prevents the use of endless belts or for emergency repairs. Open-End comes in either perforated (pre-drilled for easy cutting and fastener installation) or solid construction where a more durable belt is required. Open-End V-belting has an oil and heat resistant neoprene cover. Belting is cut to desired length and joined with metal fasteners. Only a knife and screwdriver are required for assembly.

Available in four sections as shown below. Standard roll length is 164 ft. (50 meters).

Features & Benefits

- **Easy Assembly** - Machinery does not have to be dismantled to install
- **Cut to Desired Length** - Readily available in emergency situations
- **Perforated Construction** - Allows for easier joining - pre-drilled holes for easy fastener installation
- **Solid Construction** - Slightly better tensile strength (hp/torque capability) than perforated version
- **Multi-Layer Reinforcement** - Consistent strength, good fastener retention

PART NUMBER	TOP WIDTH	BELT CONSTRUCTION
3L/O	3/8"	Perforated
3L/OS	3/8"	Solid
3L/OF	--	Fastener
A	1/2"	Perforated
AS	1/2"	Solid
AF	--	Fastener
B	21/32"	Perforated
BS	21/32"	Solid
BF	--	Fastener
C	7/8"	Perforated
CS	7/8"	Solid
CF	--	Fastener

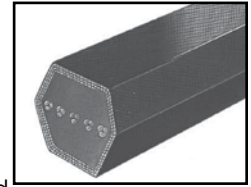


Standard Roll Length is 164 ft. Add 20% for shorter lengths.

V-BELTS



Double-V (Hexagonal) Classical Belts - AA, BB, CC Cross Sections



Specially designed for serpentine and reversing drives, Double V-belts transmit power from both sides of the belt. Polyester cords and cotton/polyester cover provide maximum strength and length stability with minimum stretch. These belts conform to ARPM Engineering Standard IP-21. Double V-belts are available in three standard ARPM sections - AA, BB and CC - and in lengths up to 540 inches. They are specified by belt section letters and a Standard Length Designation that is equivalent to the length of single "V" profile belts - **Example: AA49**

CC Section - Dry can belts available on request. These are used in drying can applications in the textile industry.

Features & Benefits

- **Polyester Tensile Member** - Maximum strength, minimum stretch
- **Dual Cross-Section Construction** - Flexibility in design; delivers power from both sides of the belt
- **Center Cordline Construction** - Increased flexibility on reverse bend or serpentine drives; longer life than standard belts

Construction

Compound - Natural Rubber/SBR

Cord - Polyester

Cover - Cotton/polyester blend

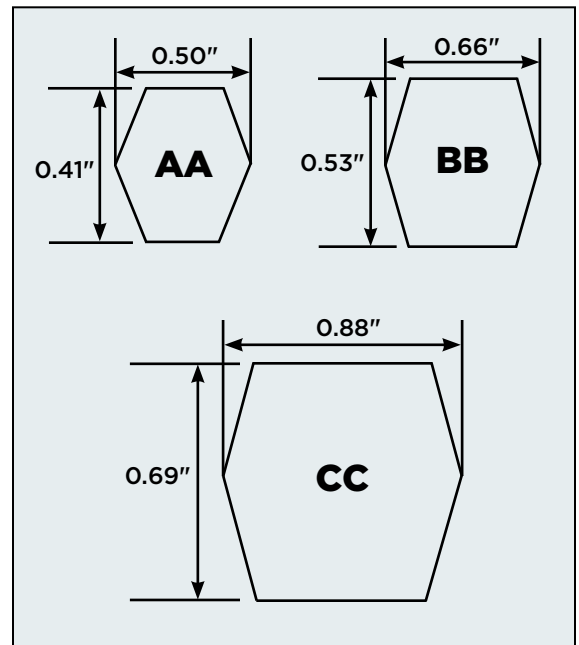
Applications - General Industry, Lawn & Garden, Agriculture, Textile, Material Sorting Equipment

Note - These belts do not use the same nomenclature as Agricultural belts. Refer to Jason/Megadyne Engineering for length conversions

Engineering Standards - Conforms to ARPM standard IP-21

Recommended Pulleys - Use pulleys made to ARPM IP-20 for the respective single V-belt

NOMINAL CENTER WIDTH





V-BELTS

"AA" SECTION 0.5" WIDE, 0.41" THICK

Belt Number	Inside Length (in.)	Approx. Weight (lbs.)	Belt Number	Inside Length (in.)	Approx. Weight (lbs.)	Belt Number	Inside Length (in.)	Approx. Weight (lbs.)	Belt Number	Inside Length (in.)	Approx. Weight (lbs.)
AA49	49.9	0.50	AA75	75.9	0.60	AA96	96.9	1.00	AA145	145.9	1.40
AA51	51.9	0.50	AA78	78.9	0.75	AA98	98.9	1.00	AA148	148.9	1.50
AA55	55.9	0.50	AA80	80.9	0.80	AA100	100.9	1.00	AA155	155.9	1.50
AA58	58.9	0.50	AA83	83.9	0.80	AA105	105.9	1.00	AA194	194.9	1.80
AA60	60.9	0.50	AA85	85.9	0.80	AA112	112.9	1.20	AA240	240.9	2.40
AA63	63.9	0.60	AA88	88.9	0.80	AA120	120.9	1.20			
AA68	68.9	0.60	AA90	90.9	0.80	AA128	128.9	1.30			
AA73	73.9	0.60	AA93	93.9	1.00	AA130	130.9	1.30			

"BB" SECTION 0.66" WIDE, 0.53" THICK

Belt Number	Inside Length (in.)	Approx. Weight (lbs.)	Belt Number	Inside Length (in.)	Approx. Weight (lbs.)	Belt Number	Inside Length (in.)	Approx. Weight (lbs.)	Belt Number	Inside Length (in.)	Approx. Weight (lbs.)
BB43	44.3	0.60	BB90	91.3	1.10	BB120	121.3	1.50	BB180	181.3	2.20
BB45	46.3	0.64	BB92	93.3	1.20	BB124	125.3	1.50	BB182	183.3	2.30
BB50	51.3	0.70	BB93	94.3	1.20	BB127	128.3	1.55	BB185	186.3	2.30
BB51	52.3	0.70	BB94	95.3	1.20	BB128	129.3	1.60	BB187	188.3	2.40
BB54	55.3	0.85	BB95	96.3	1.20	BB129	130.3	1.70	BB190	191.3	2.40
BB55	56.3	0.90	BB96	97.3	1.20	BB130	131.3	1.70	BB195	196.3	2.40
BB60	61.3	1.00	BB97	98.3	1.20	BB133	134.3	1.75	BB210	211.3	2.60
BB62	63.3	1.00	BB100	101.3	1.25	BB136	137.3	1.80	BB214	215.3	2.65
BB68	69.3	1.00	BB102	103.3	1.30	BB140	141.3	1.80	BB215	216.3	2.66
BB70	71.3	1.00	BB103	104.3	1.30	BB144	145.3	1.80	BB225	226.3	2.80
BB71	72.3	1.00	BB104	105.3	1.30	BB148	149.3	1.90	BB228	229.3	2.90
BB72	73.3	1.00	BB105	106.3	1.30	BB155	156.3	2.00	BB234	235.3	2.90
BB73	74.3	1.00	BB107	108.3	1.30	BB158	159.3	2.00	BB240	241.3	2.90
BB74	75.3	1.00	BB108	109.3	1.30	BB161	162.3	2.00	BB255	256.3	3.10
BB75	76.3	1.00	BB111	112.3	1.30	BB162	163.3	2.10	BB270	271.3	3.30
BB76	77.3	1.00	BB112	113.3	1.40	BB168	169.3	2.10	BB278	279.3	3.70
BB77	78.3	1.00	BB114	115.3	1.40	BB170	171.3	2.10	BB300	301.3	3.70
BB81	82.3	1.10	BB115	116.3	1.45	BB172	173.3	2.10	BB360	361.3	4.60
BB85	86.3	1.10	BB116	117.3	1.50	BB173	174.3	2.10			
BB87	88.3	1.10	BB118	119.3	1.50	BB175	176.3	2.10			

"CC" SECTION 0.88" WIDE, 0.69" THICK

Belt Number	Inside Length (in.)	Approx. Weight (lbs.)	Belt Number	Inside Length (in.)	Approx. Weight (lbs.)	Belt Number	Inside Length (in.)	Approx. Weight (lbs.)	Belt Number	Inside Length (in.)	Approx. Weight (lbs.)
CC75	77.1	1.70	CC119	121.1	2.60	CC173	175.1	3.80	CC240	242.1	5.20
CC81	83.1	1.80	CC120	122.1	2.70	CC174	176.1	3.80	CC270	272.1	5.90
CC85	87.1	1.90	CC128	130.1	2.90	CC178	180.1	4.00	CC300	302.1	6.50
CC90	92.1	2.00	CC140	142.1	3.10	CC180	182.1	4.00	CC330	332.1	7.20
CC96	98.1	2.20	CC144	146.1	3.20	CC195	197.1	4.60	CC360	362.1	7.80
CC105	107.1	2.40	CC154	156.1	3.40	CC210	212.1	4.70	CC390	392.1	8.50
CC112	114.1	2.50	CC158	160.1	3.50	CC225	227.1	4.90	CC420	422.1	9.10
CC118	120.1	2.60	CC162	164.1	3.80	CC234	236.1	5.10	CC780	782.1	14.90

DOUBLE-V CLASSICAL BELTS FOR POULTRY INDUSTRY



Note: "N" suffix on belt number denotes double-notch construction. Contact Jason for availability of additional sizes.

Used on equipment in the poultry industry for the de-feathering process, the table below lists popular sizes of Jason Double-V Classical Belts which have proven themselves in this harsh environment. Where a suffix of N is seen at the end of the belt number (**Example: BB158N**), belts are double-notched for extra flexibility.

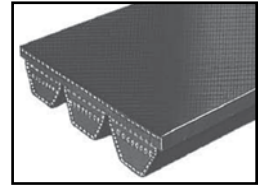
Belt Number	Inside Length (in.)	Approx. Weight (lbs.)	Construction
AA128	128.9	1.30	Standard
AA148	148.9	1.50	Standard
BB155	156.3	2.00	Standard
BB155N	156.3	2.00	Double Notched
BB158	159.3	2.00	Standard
BB158N	159.3	2.00	Double Notched
BB172N	173.3	2.10	Double Notched
BB185	186.3	2.30	Standard



BANDED V-BELTS



UniMatch® Banded V-Belts - Classical Sections B, C, D (Oil & Heat Resistant/Static Dissipating)



UniMatch® Banded V-belts are available in Classical sections B, C and D, and feature the same premium constructions as the individual belt, bonded together with a fabric-neoprene top band. These belts are often used on vertical shafts and where belt vibration, whipping and turn-over must be minimized.

Stock Banded Classical V-belts are listed on page 20. To obtain the total list price, multiply the list price per rib by the total number of ribs per band. In-between lengths of the B, C and D sections are available, as are lengths to 600 inches in the B and C sections on special order. Consult Jason/Megadyne Customer Service. These belts conform to ARPM Engineering Standard IP-20.

Banded Classical V-belts are specified by a number followed by a forward slash which indicates banded construction and number of ribs, and a letter/number combination indicating the base belt part number -

Example: 8/C90

Features & Benefits

- **Banded Construction** - Fabric/Neoprene top band enhances stability and prevents belts from turning over or coming off the drive. Minimizes vibration.
- **Static Dissipating** - Safe operation in potentially dangerous atmosphere
- **Oil & Heat Resistant** - Durability in tough environments

PART NUMBER DESIGNATION

8/C90

8/ = One banded belt with 8 ribs

C = Indicates belt cross section

90 = ARPM Standard Length Designation

Construction

Compound - Natural Rubber/SBR

Cord - Polyester

Cover - Cotton/polyester blend

Top Band - Fabric/Neoprene

Applications - General Industry, HVAC Equipment, Lawn & Garden, Agriculture

Engineering Standards - Conforms to ARPM standard IP-20

Recommended Pulleys - Use pulleys made to ARPM standards

Special Order Availability - RB48 to RB105, up to 28 ribs wide
RB108 and up, up to 26 ribs wide
RC - All sizes, up to 22 ribs wide
RD - All sizes, up to 15 ribs wide

Special Lengths - In-between lengths and lengths up to 600 inches available by special order

Note - 2 and 3 rib belts are not returnable

It is common practice for some belt suppliers to fill orders for banded V-belts by supplying separate bands (belts) that add up to the total number of ribs requested. Normal policy for Jason/Megadyne is to supply a one-piece banded V-belt unless otherwise requested. **Example: Order is for one belt with 8 ribs.** Some suppliers will send two belts with 4 ribs each. Jason/Megadyne will ship as ordered, one belt with 8 ribs, unless otherwise specified.



BANDED V-BELTS

"RB" SECTION UNIMATCH® BANDED V-BELTS (CLASSICAL)

Banded B - thru B210, add 3-13/16 (3.8) to Standard Length Designation and above B210, add 2-15/16 (2.3) to get Outside Length (inch)

Belt Number	Outside Length (in.)	Approx. Weight (lbs.)	Belt Number	Outside Length (in.)	Approx. Weight (lbs.)	Belt Number	Outside Length (in.)	Approx. Weight (lbs.)	Belt Number	Outside Length (in.)	Approx. Weight (lbs.)
RB46	49.8	0.70	RB70	73.8	0.95	RB100	103.8	1.36	RB148	151.8	2.00
RB48	51.8	0.70	RB71	74.8	0.97	RB101	104.8	1.34	RB150	153.8	2.05
RB51	54.8	0.70	RB72	75.8	0.98	RB103	106.8	1.39	RB154	157.8	2.09
RB52	55.8	0.70	RB75	78.8	1.00	RB105	108.8	1.43	RB158	161.8	2.14
RB53	56.8	0.72	RB77	80.8	1.02	RB108	111.8	1.47	RB160	163.8	2.18
RB55	58.8	0.74	RB78	81.8	1.04	RB109	112.8	1.50	RB162	165.8	2.20
RB56	59.8	0.75	RB79	82.8	1.06	RB112	115.8	1.54	RB173	176.8	2.35
RB57	60.8	0.76	RB80	83.8	1.08	RB114	117.8	1.58	RB180	183.8	2.44
RB58	61.8	0.77	RB81	84.8	1.10	RB116	119.8	1.61	RB184	187.8	2.50
RB59	62.8	0.79	RB82	85.8	1.12	RB118	121.8	1.60	RB188	191.8	2.68
RB60	63.8	0.82	RB83	86.8	1.15	RB120	123.8	1.68	RB190	193.8	2.75
RB61	64.8	0.83	RB85	88.8	1.18	RB124	127.8	1.75	RB195	198.8	2.65
RB62	65.8	0.84	RB88	91.8	1.21	RB128	131.8	1.78	RB210	213.8	2.85
RB63	66.8	0.86	RB90	93.8	1.22	RB130	133.8	1.80	RB225	227.3	3.20
RB64	67.8	0.87	RB93	96.8	1.26	RB133	136.8	1.81	RB240	242.3	3.26
RB65	68.8	0.88	RB95	98.8	1.29	RB136	139.8	1.84	RB255	257.3	3.46
RB66	69.8	0.89	RB96	99.8	1.30	RB138	141.8	1.90	RB270	272.3	3.67
RB67	70.8	0.90	RB97	100.8	1.32	RB141	144.8	1.92	RB300	302.3	4.08
RB68	71.8	0.92	RB99	102.8	1.35	RB144	147.8	1.95	RB315	317.3	4.28

"RC" SECTION UNIMATCH® BANDED V-BELTS (CLASSICAL)

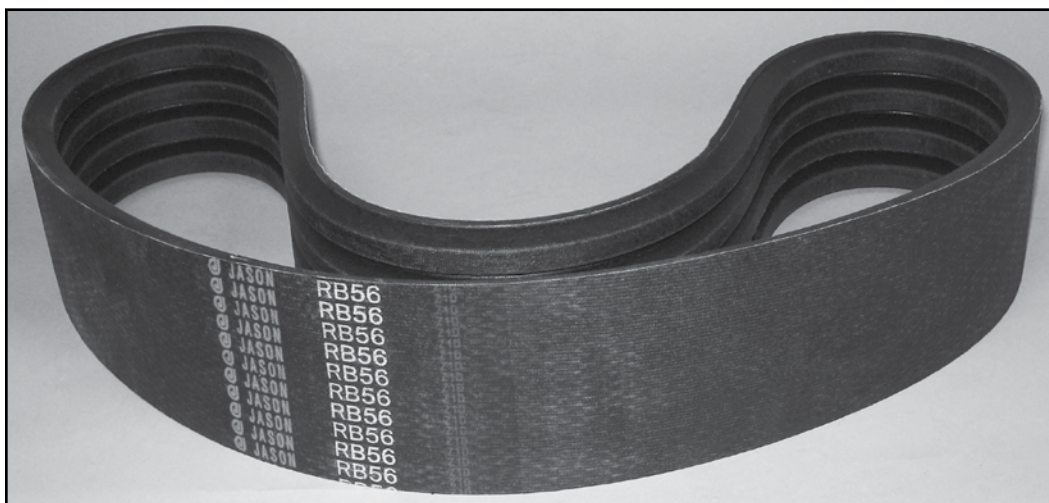
Banded C - thru C210, add 5-7/16 (5.4) to Standard Length Designation and above C210, add 3-7/16 (3.4) to get Outside Length (inch)

Belt Number	Outside Length (in.)	Approx. Weight (lbs.)	Belt Number	Outside Length (in.)	Approx. Weight (lbs.)	Belt Number	Outside Length (in.)	Approx. Weight (lbs.)	Belt Number	Outside Length (in.)	Approx. Weight (lbs.)
RC60	65.4	1.44	RC100	105.4	2.40	RC162	167.4	3.88	RC285	288.4	6.84
RC68	73.4	1.65	RC105	110.4	2.52	RC173	178.4	4.15	RC300	303.4	7.20
RC71	76.4	1.68	RC109	114.4	2.60	RC180	185.4	4.32	RC315	318.4	7.56
RC75	80.4	1.80	RC112	117.4	2.68	RC195	200.4	4.68	RC330	333.4	7.92
RC80	85.4	1.85	RC120	125.4	2.88	RC204	209.4	4.90	RC345	348.4	8.28
RC81	86.4	1.92	RC126	131.4	3.04	RC210	215.4	5.04	RC360	363.4	8.64
RC85	90.4	2.04	RC128	133.4	3.07	RC225	228.4	5.40	RC390	393.4	9.36
RC87	92.4	2.09	RC136	141.4	3.26	RC240	243.4	5.76	RC420	423.4	10.80
RC90	95.4	2.16	RC144	149.4	3.45	RC255	258.4	6.12			
RC96	101.4	2.30	RC158	163.4	3.79	RC270	273.4	6.48			

"RD" SECTION UNIMATCH® BANDED V-BELTS (CLASSICAL)

Banded D - thru D210, add 6-5/8 (6.6) to Standard Length Designation and above D210, add 4-1/8 (4.1) to get Outside Length (inch)

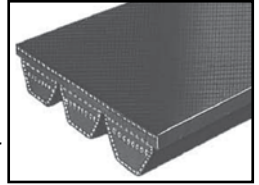
Belt Number	Outside Length (in.)	Approx. Weight (lbs.)	Belt Number	Outside Length (in.)	Approx. Weight (lbs.)	Belt Number	Outside Length (in.)	Approx. Weight (lbs.)	Belt Number	Outside Length (in.)	Approx. Weight (lbs.)
RD112	118.6	4.70	RD173	179.6	7.20	RD270	274.1	11.20	RD390	394.1	16.20
RD120	126.6	5.00	RD180	186.6	7.50	RD285	289.1	11.80	RD420	424.1	17.50
RD128	134.6	5.30	RD195	201.6	7.90	RD300	304.1	12.50	RD480	484.1	20.00
RD138	144.6	5.80	RD210	216.6	8.70	RD315	319.1	13.10	RD540	544.1	22.50
RD144	150.6	6.00	RD225	229.1	9.40	RD330	334.1	13.70	RD600	604.1	25.00
RD158	164.6	6.60	RD240	244.1	10.00	RD345	349.1	14.40	RD660	664.1	27.50
RD162	168.6	6.80	RD255	259.1	10.60	RD360	364.1	14.90			



BANDED V-BELTS



UniMatch® Banded V-Belts - Deep Wedge Sections 3V, 5V, 8V (Oil & Heat Resistant/Static Dissipating)



UniMatch® Banded V-belts are available in Deep Wedge sections 3V, 5V and 8V, and feature the same premium constructions as the individual Deep Wedge belt and are bonded together with a fabric-neoprene top band. These belts are often used on vertical shafts and where belt vibration, whipping and turn-over must be minimized.

Stock Banded Deep Wedge V-belts are listed on page 22. To obtain the total list price, multiply the list price per rib by the total number of ribs per band. These belts conform to ARPM Engineering Standard IP-22.

Banded Deep Wedge V-belts are specified by a number followed by a forward slash which indicates banded construction, number of ribs and a letter/number combination indicating the base belt part number -

Example: 8/5V750

Features & Benefits

- **High Power Capability** - High power with a more compact drive
- **Banded Construction** - Fabric/Neoprene top band enhances stability and prevents belts from turning over or coming off of the drive. Minimizes vibration.
- **Oil & Heat Resistant** - Durability in tough environments

Construction

Compound - NR/SBR

Cord - Polyester

Cover - Cotton/polyester blend

Top Band - Fabric/Neoprene

PART NUMBER DESIGNATION

8/5V750

8/ = One banded belt with 8 ribs

5V = Indicates belt cross section

750 = Effective length in tenths of an inch

Applications - General Industry, HVAC Equipment, Lawn & Garden, Agriculture

Engineering Standards - Conforms to ARPM standard IP-22

Recommended Pulleys - Use pulleys made to ARPM standards

Special Order Availability - R3V425 to R3V475, up to 21 ribs wide
R3V500 to R3V1060, up to 54 ribs wide
R3V1120 to R3V1400, up to 48 ribs wide
R5V - All sizes, up to 30 ribs wide
R8V - All sizes, up to 20 ribs wide

Note - 2 and 3 rib belts are not returnable

It is common practice for some belt suppliers to fill orders for banded V-belts by supplying separate bands (belts) that add up to the total number of ribs requested. Normal policy for Jason/Megadyne is to supply a one-piece banded V-belt unless otherwise requested. **Example: Order is for one belt with 8 ribs.** Some suppliers will send two belts with 4 ribs each. Jason/Megadyne will ship as ordered, one belt with 8 ribs, unless otherwise specified.



BANDED V-BELTS

"3V" SECTION UNIMATCH® BANDED V-BELTS (DEEP WEDGE)

Belt Number	Effective Length (in.)	Approx. Weight (lbs.)	Belt Number	Effective Length (in.)	Approx. Weight (lbs.)	Belt Number	Effective Length (in.)	Approx. Weight (lbs.)	Belt Number	Effective Length (in.)	Approx. Weight (lbs.)
R3V355	35.5	0.20	R3V560	45.0	0.20	R3V800	63.0	0.30	R3V1120	112.0	0.50
R3V400	40.0	0.20	R3V600	60.0	0.20	R3V830	83.0	0.40	R3V1180	118.0	0.50
R3V425	42.5	0.20	R3V630	63.0	0.30	R3V850	85.0	0.40	R3V1250	125.0	0.50
R3V450	45.0	0.20	R3V670	67.0	0.30	R3V900	90.0	0.40	R3V1320	132.0	0.60
R3V475	47.5	0.20	R3V710	71.0	0.30	R3V950	95.0	0.40	R3V1400	140.0	0.60
R3V500	50.0	0.20	R3V730	73.0	0.30	R3V1000	100.0	0.40			
R3V530	53.0	0.20	R3V750	75.0	0.30	R3V1060	106.0	0.50			

For R3V approximate outside circumference, add 15/16"

"5V" SECTION UNIMATCH® BANDED V-BELTS (DEEP WEDGE)

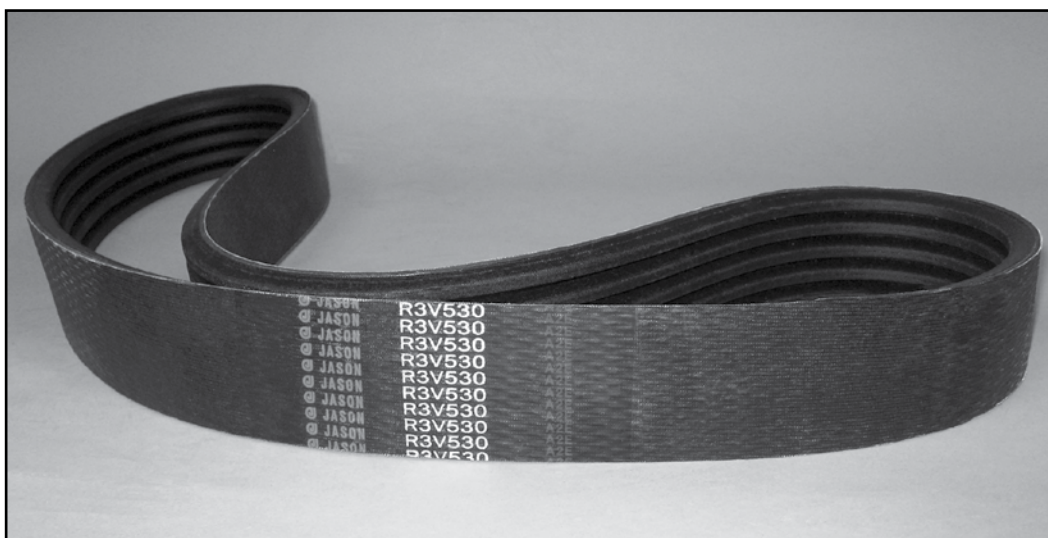
Belt Number	Effective Length (in.)	Approx. Weight (lbs.)	Belt Number	Effective Length (in.)	Approx. Weight (lbs.)	Belt Number	Effective Length (in.)	Approx. Weight (lbs.)	Belt Number	Effective Length (in.)	Approx. Weight (lbs.)
R5V500	50.0	0.60	R5V900	90.0	1.00	R5V1500	150.0	1.80	R5V2500	250.0	3.00
R5V530	53.0	0.60	R5V950	95.0	1.10	R5V1600	160.0	1.90	R5V2650	265.0	3.20
R5V560	56.0	0.70	R5V975	97.5	1.20	R5V1650	165.0	2.00	R5V2800	280.0	3.30
R5V600	60.0	0.70	R5V1000	100.0	1.20	R5V1700	170.0	2.00	R5V3000	300.0	3.60
R5V630	63.0	0.70	R5V1060	106.0	1.30	R5V1800	180.0	2.10	R5V3150	315.0	3.80
R5V670	67.0	0.80	R5V1120	112.0	1.30	R5V1900	190.0	2.20	R5V3350	335.0	4.00
R5V710	71.0	0.80	R5V1180	118.0	1.40	R5V2000	200.0	2.40	R5V3550	355.0	4.30
R5V750	75.0	0.80	R5V1250	125.0	1.50	R5V2120	212.0	2.50			
R5V800	80.0	0.90	R5V1320	132.0	1.60	R5V2240	224.0	2.70			
R5V850	85.0	0.90	R5V1400	140.0	1.70	R5V2360	236.0	2.80			

For R5V approximate outside circumference, add 1-1/4"

"8V" SECTION UNIMATCH® BANDED V-BELTS (DEEP WEDGE)

Belt Number	Effective Length (in.)	Approx. Weight (lbs.)	Belt Number	Effective Length (in.)	Approx. Weight (lbs.)	Belt Number	Effective Length (in.)	Approx. Weight (lbs.)	Belt Number	Effective Length (in.)	Approx. Weight (lbs.)
R8V1000	100.0	3.30	R8V1600	160.0	5.20	R8V2360	236.0	7.00	R8V3350	335.0	11.10
R8V1060	106.0	3.50	R8V1650	165.0	5.40	R8V2400	240.0	8.00	R8V3750	375.0	11.70
R8V1120	112.0	3.70	R8V1700	170.0	5.60	R8V2500	250.0	8.30	R8V4000	400.0	12.40
R8V1180	118.0	3.90	R8V1800	180.0	5.90	R8V2650	265.0	8.70	R8V4250	425.0	13.20
R8V1250	125.0	4.10	R8V1900	190.0	6.30	R8V2700	270.0	9.00	R8V4500	450.0	14.00
R8V1320	132.0	4.40	R8V2000	200.0	6.60	R8V2800	280.0	9.20	R8V4750	475.0	14.80
R8V1400	140.0	4.60	R8V2120	212.0	6.90	R8V3000	300.0	9.80	R8V5000	500.0	16.50
R8V1500	150.0	4.90	R8V2240	224.0	7.00	R8V3150	315.0	9.90	R8V5600	560.0	18.40

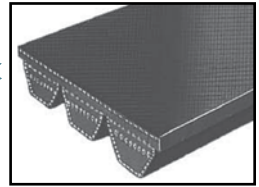
For R8V approximate outside circumference, add 1-9/16"



BANDED V-BELTS



UniMatch® Super High Performance Banded Kevlar® V-Belts - Deep Wedge Sections 8VK (Oil & Heat Resistant/Static Dissipating)



UniMatch® Super High Performance Banded Kevlar® V-belts are ready for the toughest, most aggressive high horsepower applications in the oil field, rock quarry, timber and lumber processing, mining and heavy construction industries to name just a few. Banded construction combined with a high strength/low stretch Kevlar® cord assures high performance on drives subject to severe shock loads such as crushers, dredge pumps, hammer mills, pile drivers, steel billet grinders, etc. Available from stock.

Features & Benefits

- **High Performance Kevlar® Cord** - Maximum protection against belt breakage due to pulsating and heavy shock loads. Provides superior durability on the toughest applications
- **Super High Power Capability** - Highest power transmission capability available for 8V section
- **Banded Construction** - Fabric/Neoprene top band enhances stability and prevents belts from turning over or coming off of the drive. Minimizes vibration.
- **Oil & Heat Resistant** - Durability in tough environments

PART NUMBER DESIGNATION

5/8V3350K

5/ = One banded belt with 5 ribs

8V = Indicates belt cross section

3350 = Effective length in tenths of an inch

K = Indicates Kevlar® cord construction

Construction

Compound - Chloroprene

Cord - Kevlar®

Cover - Cotton

Top Band - Polyester/Cotton/Chloroprene



Applications - Wood Processing, Mining, Oil Field, Heavy Construction, Aggregate Processing, General Industry

Engineering Standards - Conforms to ARPM standard IP-22

Recommended Pulleys - **Special pulleys are required!** Contact Jason/Megadyne

Cast Iron Pulleys typically DO NOT have sufficient horsepower capacity to operate with Super High Performance 8V belts

Note - 2 and 3 rib belts are not returnable

It is common practice for some belt suppliers to fill orders for banded V-belts by supplying separate bands (belts) that add up to the total number of ribs requested. Normal policy for Jason/Megadyne is to supply a one-piece banded V-belt unless otherwise requested. **Example: Order is for one belt with 8 ribs.** Some suppliers will send two belts with 4 ribs each. Jason/Megadyne will ship as ordered, one belt with 8 ribs.

"8VK" SECTION UNIMATCH® SUPER HIGH PERFORMANCE BANDED V-BELTS (DEEP WEDGE)

Belt Number	Effective Length (in.)	Approx. Weight (lbs.)	Maximum No. of Ribs	Belt Number	Effective Length (in.)	Approx. Weight (lbs.)	Maximum No. of Ribs	Belt Number	Effective Length (in.)	Approx. Weight (lbs.)	Maximum No. of Ribs
R8V2000K	200.0	6.60	20	R8V2650K	265.0	8.70	20	R8V3550K	355.0	11.40	20
R8V2120K	212.0	6.90	20	R8V2800K	280.0	9.20	20	R8V3750K	375.0	11.70	20
R8V2240K	224.0	7.00	20	R8V3000K	300.0	9.80	20	R8V4000K	400.0	12.40	20
R8V2360K	236.0	7.00	20	R8V3150K	315.0	9.90	20	R8V4750K	475.0	14.80	20
R8V2500K	250.0	8.30	20	R8V3350K	335.0	11.10	20	R8V5000K	500.0	16.50	20

Kevlar® is a registered trademark of DuPont.